

ACCESSORI PER VALVOLE MODULARI SERIE 471 E 464
ACCESSORIES FOR MODULAR VALVES SERIES 471 AND 464
ACCESORIOS PARA VALVULAS MODULARES SERIE 471 Y 464

471 - 464



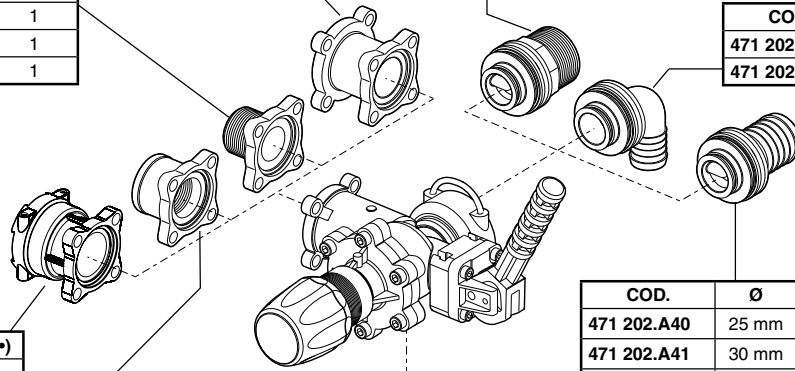
COD.	Ø	MAT. (*)
463 000.130	G 3/4 (BSP)	1
463 000H.130	G 3/4 (BSP)	2
463 000.131	3/4" NPT	1
463 000.140	G1 (BSP)	1
463 000H.140	G1 (BSP)	2
463 000.141	1" NPT	1
463 000.150	G 1 1/4 (BSP)	1
463 000.151	1" 1/4 NPT	1

COD.	MAT. (*)
473 000.010	1

COD.	Ø	Ør	MAT. (*)
471 202.B50	G 1 1/4 (BSP)		1
471 202.B51	G 1 1/4 (BSP)	● 19 mm	1
471 202.B52	G 1 1/4 (BSP)	● 16 mm	1

Ør
 diametro interno portagomma con venturi
 hose tail with venturi internal diameter
 diámetro interior racor porta manguera con Venturi

COD.	Ø	MAT. (*)
471 202.C25	25 mm	1
471 202.C30	30 mm	1



COD.	Ø	MAT. (*)
463 000.157	T5	1

COD.	Ø	MAT. (*)
463 000.132	G 3/4 (BSP)	1
463 000.133	3/4" NPT	1
463 000.142	G1 (BSP)	1
463 000.143	1" NPT	1

COD.	Ø	MAT. (*)
473 001.C25	25 mm	1

COD.	Ø	MAT. (*)
473 001.A19	19 mm	1
473 001.A25	25 mm	1
473 001.A30	30 mm	1
473 001.A32	32 mm	1

COD.	Ø	MAX POMPA PUMP		MAT. (*)
		lt/1'	US GPM	
471 202.A40	25 mm	● 70	19	1
471 202.A41	30 mm	● 120	32	1
471 202.A43	32 mm	● 120	32	1
471 202.A45	35 mm	● 180	48	1

COD.	Ø	MAT. (*)
473 001.B30	G 3/4 (BSP)	1
473 001.B40	G1 (BSP)	1
473 001.B50	G 1 1/4 (BSP)	1

471

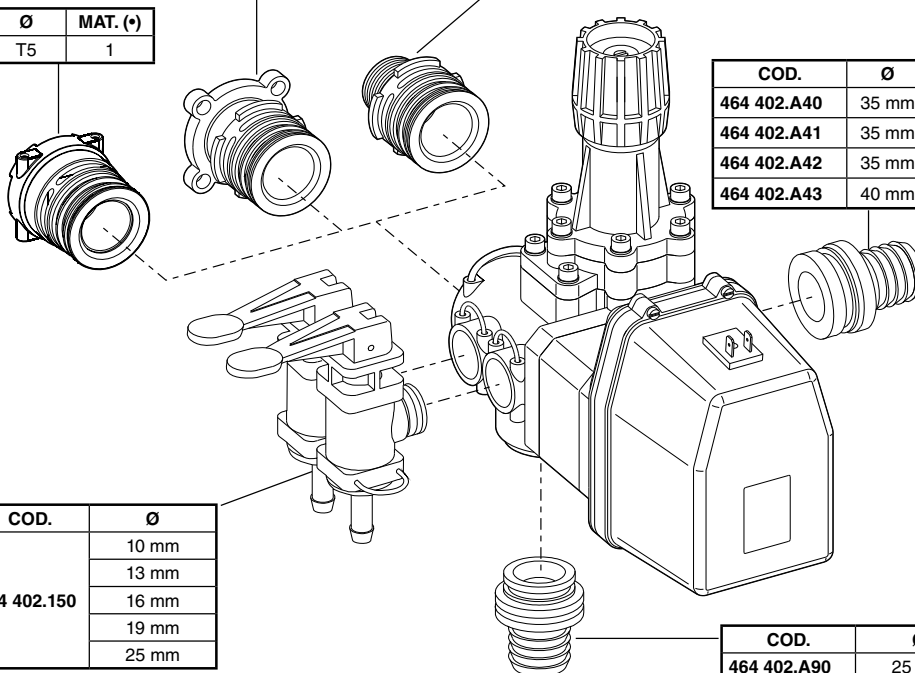
(*) materiale	1= Nylon 2= Ottone
(*) material	1= Nylon 2= Brass
(*) material	1= Nylon 2= Latón

464

COD.	Ø	MAT. (*)
464 400.028	473	1
464 400.029	463	1

COD.	Ø	MAT. (*)
464 400.023	G 3/4 (BSP)	1
464 400.024	G1 (BSP)	1
464 400.025	G 1 1/4 (BSP)	1

COD.	Ø	MAT. (*)
464 400.026	T5	1



COD.	Ø
464 402.150	10 mm
	13 mm
	16 mm
	19 mm
	25 mm

COD.	Ø	MAX POMPA PUMP		MAT. (*)
		lt/1'	US GPM	
464 402.A40	35 mm	● 60	16	1
464 402.A41	35 mm	● 120	32	1
464 402.A42	35 mm	● 180	48	1
464 402.A43	40 mm	● 280	74	1

COD.	Ø	MAT. (*)
464 402.A90	25 mm	1
464 402.A91	30 mm	1
464 402.A92	35 mm	1
464 402.A93	38 mm	1