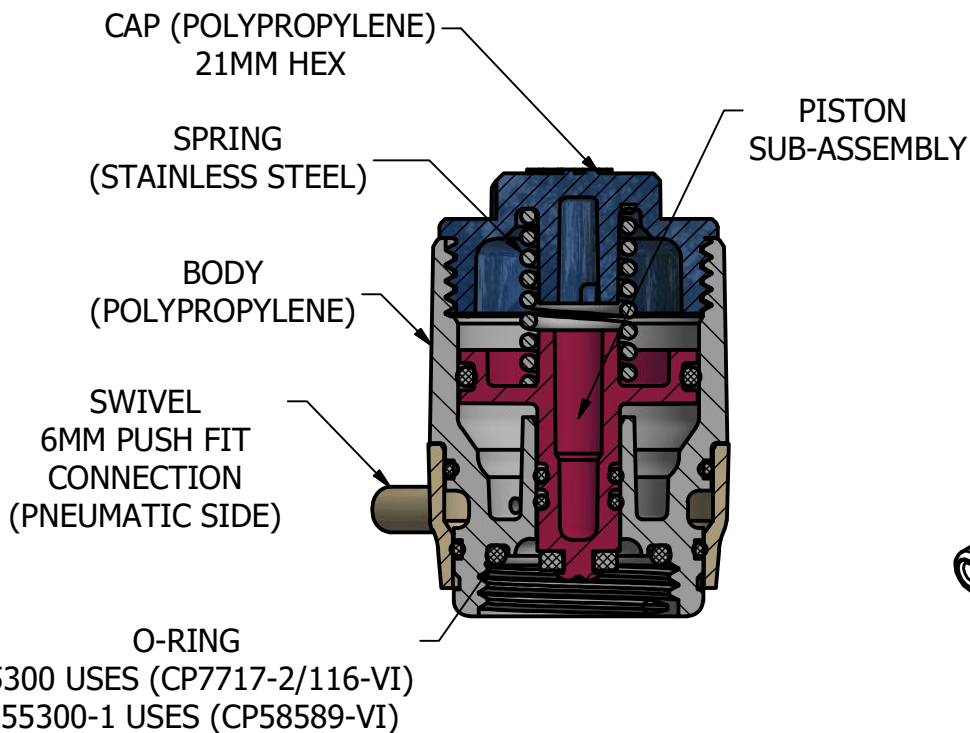
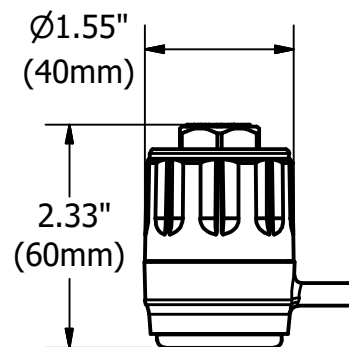
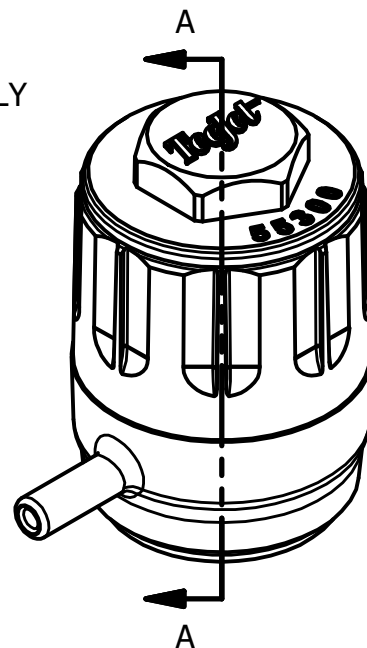


THE 55300 AIR CHEMSAVER IS DESIGNED AS A PNEUMATIC SHUT-OFF VALVE FOR USE ON MOST QUICK TEEJET® NOZZLE BODIES AND THE 55300-1 AIR CHEMSAVER IS DESIGNED FOR USE ON QJS SERIES NOZZLE BODIES.
 AIR PRESSURE IS USED TO OPEN THE VALVE AND A SPRING IS USED TO CLOSE THE VALVE. THE 55300 AIR CHEMSAVER SHUT-OFF VALVE ALLOWS FOR INDIVIDUAL TIP SHUT-OFF, INCREASING PRECISION APPLICATION AND PRODUCT SAVINGS.



CROSS SECTION VIEW
 SCALE 1 : 1



55300 DIMENSIONS

PNEUMATIC SIDE

- MINIMUM 45 PSI (3.1 BAR) OPENING AIR PRESSURE
- 0.465 CUBIC INCHES/CYCLE (7.62 CUBIC CENTIMETERS/CYCLE) AIR CONSUMPTION
- 55300 IS NORMALLY CLOSED

FLUID SIDE

- MAXIMUM 150 PSI (10 BAR) LIQUID PRESSURE.
- MUST BE COMPATIBLE WITH FKM, KYNAR® AND POLYPROPYLENE

MATERIALS

- MATERIALS EXPOSED TO AIR: POLYPROPYLENE, VITON, AND KYNAR

KYNAR® IS A TRADEMARK OF ARKEMA, INC.

*ALL OTHER COMPONENTS ARE NON-SERVICEABLE

DESCRIPTION:

55300 & 55300-1
 AIR CHEMSAVER®
 SHUT-OFF VALVE



Spraying Systems Co.®
 Spray Nozzles and Accessories
 P.O. Box 7900 - Wheaton, IL 60187-7901

REVISION NO. 2	DATA SHEET DS55300	
REFERENCE: 11/27/2018	SHEET: 1 OF 1	DWG SIZE: A