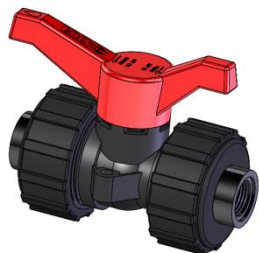


2 & 3-WAY - DOUBLE UNION – BALL VALVE

DN15 (1/2") to DN50 (2") – PPGF, PVDF

Conform to the 2014/68/EU Directive



DN15 – 2-way
PPGF



DN50 – 2-way
PPGF



DN50 – 3-way
PVDF

MAIN FEATURES

- Full Bore .
- Inner Shape promoting flow and limiting retention zones.
- 2 lateral fixing points for valve installation or actuation.
- Easy to actuate manual valve to desired control (Electric or Pneumatic) by removable handle.
- Color Handle and safety plate indicating type of Seals (Red = EPDM, Green = FPM, blue = FEP/FFPM).
- Many Available Fittings.

STANDARDS & APPROVALS



DGS/SD7A N°571 : Circular on the terms and conditions for the verification of the sanitary conformity of the constituent materials of accessories or subassembly accessories, consisting of organic elements in contact with water intended for human consumption (Food Grade Approval)



Products complying with the requirements of EN ISO Standard 15848-1 (Class B) and German standard TA-Luft VDI 2440, which define external leak criteria for leaktight systems



NR320 : Certification scheme of materials and equipment for the classification of marine units

Les descriptions et caractéristiques figurant sur ce document sont données uniquement à titre d'information et non d'engagement contractuel. SAFI se réserve le droit d'effectuer sans préavis, toute modification.

SAFI has a policy of continuously developing its product range and the above data is subject to change without prior notification.

Die Beschreibungen und Daten, die sich auf diesem Dokument befinden, sind rein informativ und unverbindlich. SAFI behält sich vor, ohne Vorankündigung Änderungen vorzunehmen, die als technisch notwendig erachtet werden.

Las descripciones y características que figuran en este documento son indicativas. En ningún caso son contractuales. SAFI se reserva el derecho sin previo aviso de efectuar cualquier modificación.

SAFI

Av. Jacques Moison – BP 1
26770 TAULIGNAN
FRANCE
Tél.: (+33) 4 75 53 56 29
Fax : (+33) 4 75 53 62 78
info@safi-valves.com

SAFI Limited

35 Holton Road
Holton Heath Trading Park
POOLE Dorset - BH16 6LT
UNITED KINGDOM
Tél.: (+44) 1202 624618
Fax : (+44) 1202 628500
sales@safi-valves.com

SAFI Deutschland

Kunststoffarmaturen
Vertriebs GmbH
Jahnstrasse 29
64319 PFUNGSTADT
DEUTSCHLAND
Tél. : (+49) 61 57 81 919
Fax : (+49) 61 57 82 025
info-deutschland@safi-valves.com

SAFI Fabrica de Valvulas

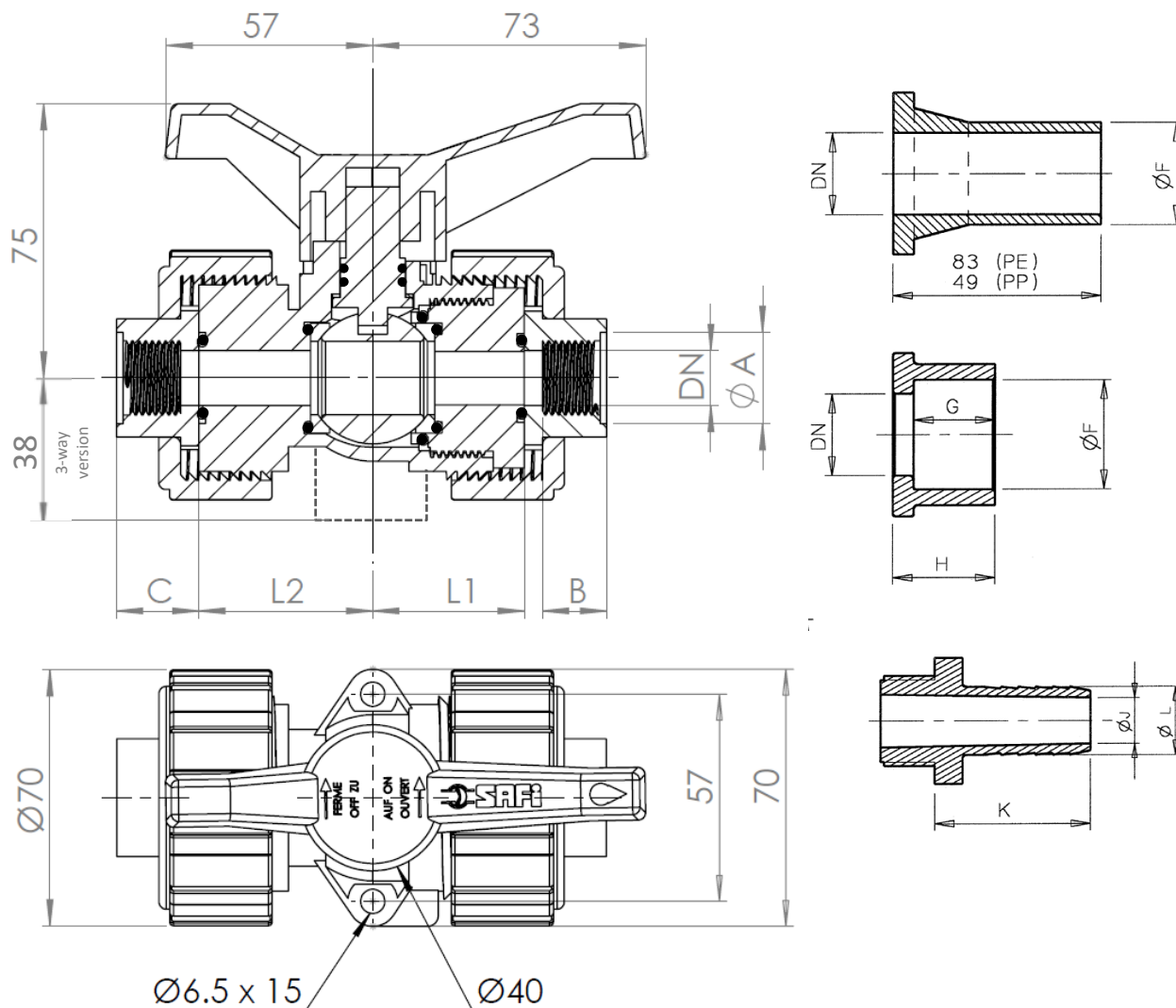
C/ Carboners, 35
Pol. Ind. La Cometa
43700 EL VENDRELL
TARRAGONA-ESPAÑA
Tél.: (+34) 977 665 147
Fax : (+34) 977 664 989
info@safi-valvulas.com

SAFI America

Las Garzas Trade Center
Las Garzas #950, B
Quilicura
SANTIAGO – CHILE
Tél.: (+56 2) 2 510 3500
Fax : (+56 2) 2 510 3507
info@safi-america.com

DIMENSIONS

DN15 to DN20



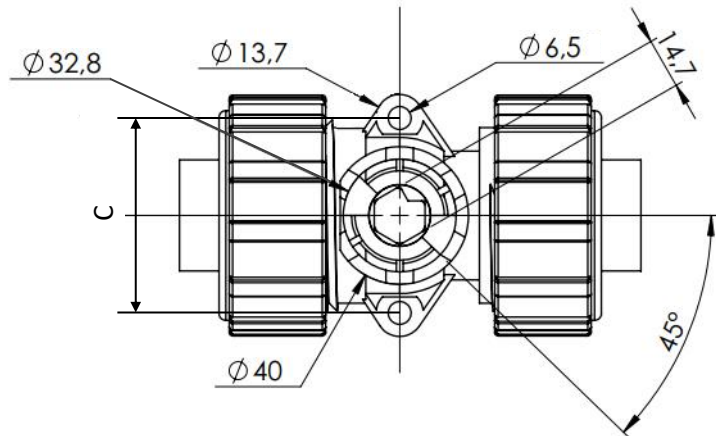
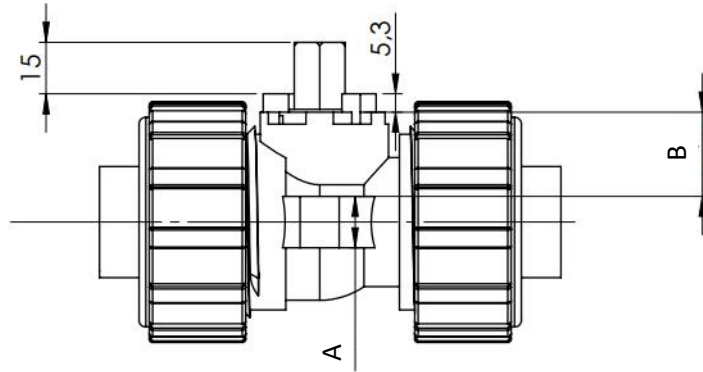
DN	ØA	B	C	L1	L2	ØF	G	H	ØJ	K	ØL	WEIGHT	
												PPGF	PVDF
15	1/2" GAZ	18	23	42	39	20	17	21	10	33	14	0.3Kg	0.46Kg
									13	48	16		
20	3/4" GAZ	21	25	42	39	25	20	25	13	49	16	0.3Kg	0.46Kg
									13	46	19		
									19	48	25		

Les descriptions et caractéristiques figurant sur ce document sont données uniquement à titre d'information et non d'engagement contractuel. SAFI se réserve le droit d'effectuer sans préavis, toute modification.

SAFI has a policy of continuously developing its product range and the above data is subject to change without prior notification.

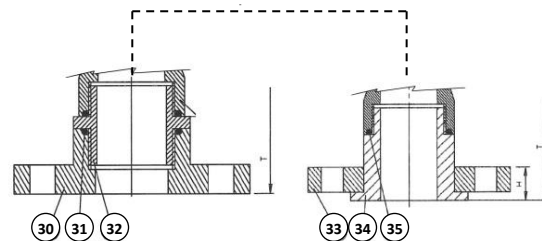
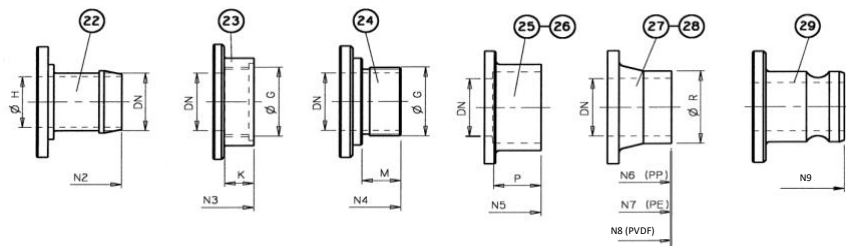
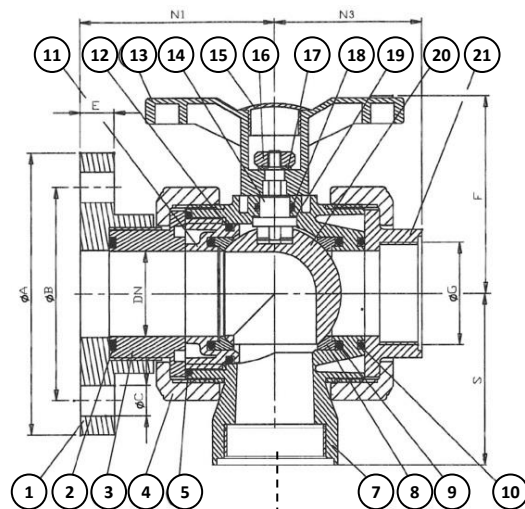
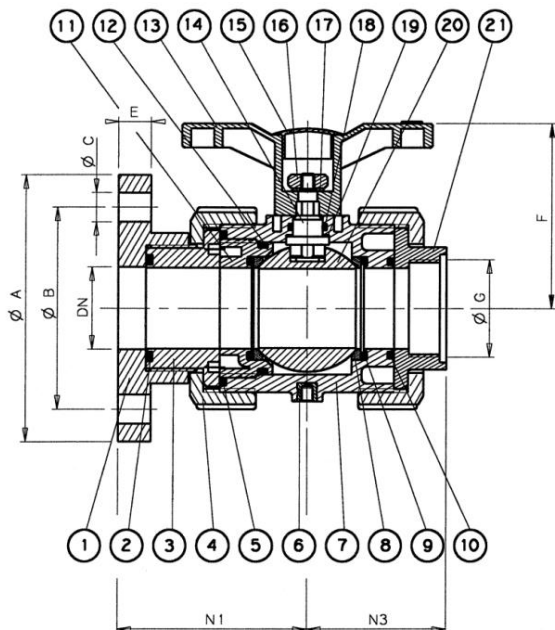
Die Beschreibungen und Daten, die sich auf diesem Dokument befinden, sind rein informativ und unverbindlich. SAFI behält sich vor, ohne Vorankündigung Änderungen vorzunehmen, die als technisch notwendig erachtet werden.

Las descripciones y características que figuran en este documento son indicativas. En ningún caso son contractuales. SAFI se reserva el derecho sin previo aviso de efectuar cualquier modificación.



DN	A	B	C
15	15	24	57
20	15	24	57

DN25 to DN50



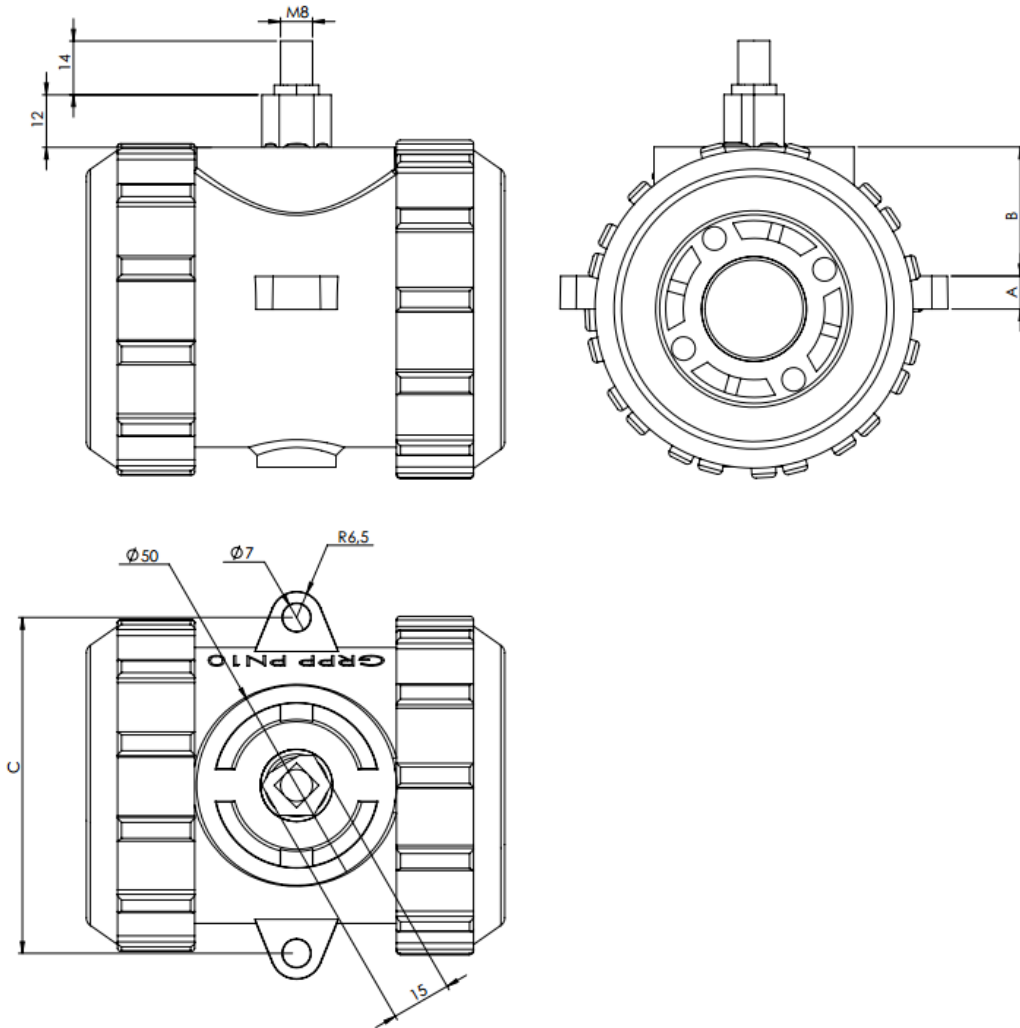
DN	A	Ø B			Ø C			E	F	F*	G	H	N1	N2	N3	N4	N5	N6	N7	N8	N9	P	R	S	T
		DIN	ANSI	BS	DIN	ANSI	BS																		
25	115	85	79,5	82	14	16	14	16	78	98*	1" GAZ	26	80	106	68	88	65	90	122	96	86	22	32	70	100
32	140	100	89	87,3	18	16	14	18	83	103*	1" 1/4 GAZ	27	90	109,5	74	91,5	75	95	128	110	112	26	40	76	105
40	150	110	98,4	98,4	18	16	14	18	89	89	1" 1/2 GAZ	30	100	115,5	82	97,5	86	100	153	117	118	31	50	90	115
50	165	125	120,6	114,3	18	19	18	20	95	95	2" GAZ	32	115	119	86	101	96,5	103	168	124	120	37,5	63	100	125

(*): When the valve is equipped with Flanges, the F Dimension increases by 20mm for DN25 and DN32.

DIN = Drilling in accordance with EN 1092-1 PN10/PN
ANSI = Drilling in accordance with EN1759-1/ASME B16.5 Class 150

DN	PPGF WEIGHT (Kg)	PVDF WEIGHT (Kg)
	WITH 2 FITTINGS	WITH 2 FITTINGS
25	0,47	0,85
32	0,75	1
40	0,93	1,5
50	1,13	1,9

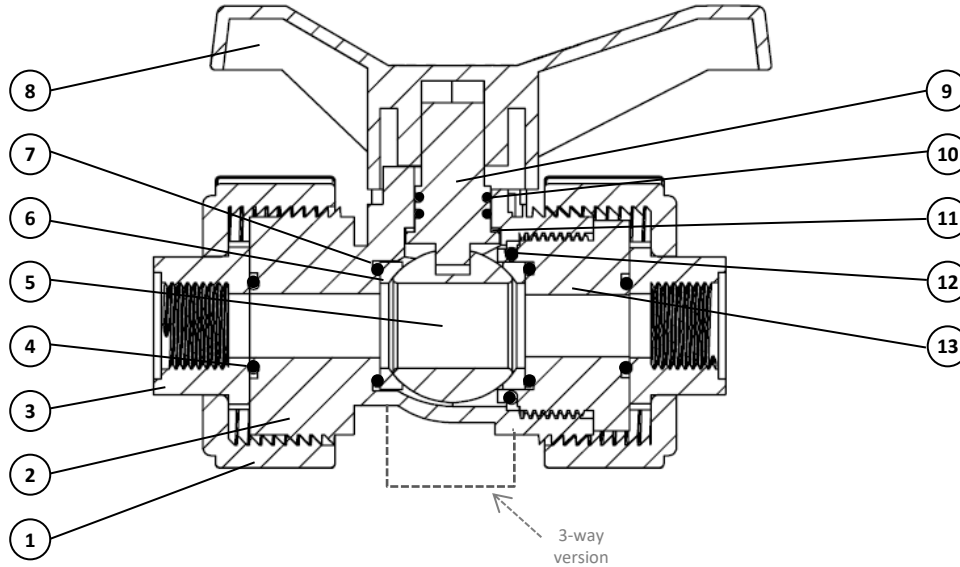
Different types of fittings are available, consult the TDS-EQUIP-1003 product sheet.



DN	A	B	C
25	8,3	32,3	84
32	13,8	32,3	94
40	12,6	40	106
50	17,7	40	119

PARTS LIST

DN15 to DN20



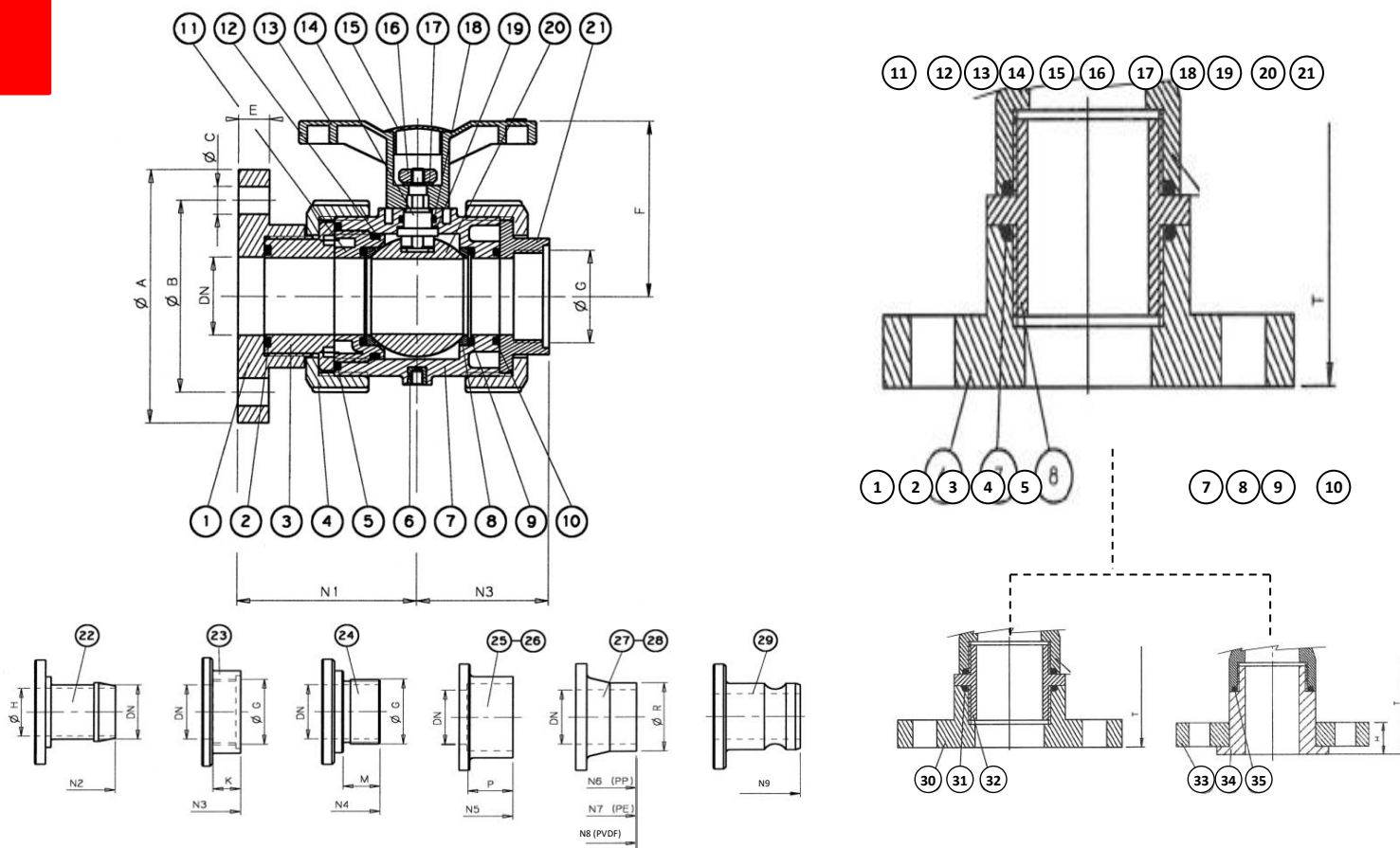
N°	QTY	DESCRIPTION	MATERIAL
1	1	BODY NUT	PPGF, PVDF
2	1	BODY	PPGF, PVDF
3	2	FITTING	PPGF, PP-H, PE-HD
4*	2	O-RING	EPDM, FPM**
5*	1	BALL L Port, double L Port, T Port	PP-H, PVDF
6*	2	SEAT	PTFE
7*	2	O-RING	EPDM, FPM**
8*	1	RED HANDLE GREEN HANDLE	PPGF PPGF
9	1	SPINDLE	PPGF, PVDF
10*	2	O-RING	EPDM, FPM**
11*	1	FRICTION WASHER	PTFE
12*	1	O-RING	EPDM, FPM**
13	1	ADJUSTING END	PPGF, PVDF

(*): Spare part

(**): FPM type SAFKM5

Different types of fittings are available, consult the TDS-EQUIP-1003 product sheet.

DN25 to DN50



Different types of fittings are available, consult the TDS-EQUIP-1003 product sheet.

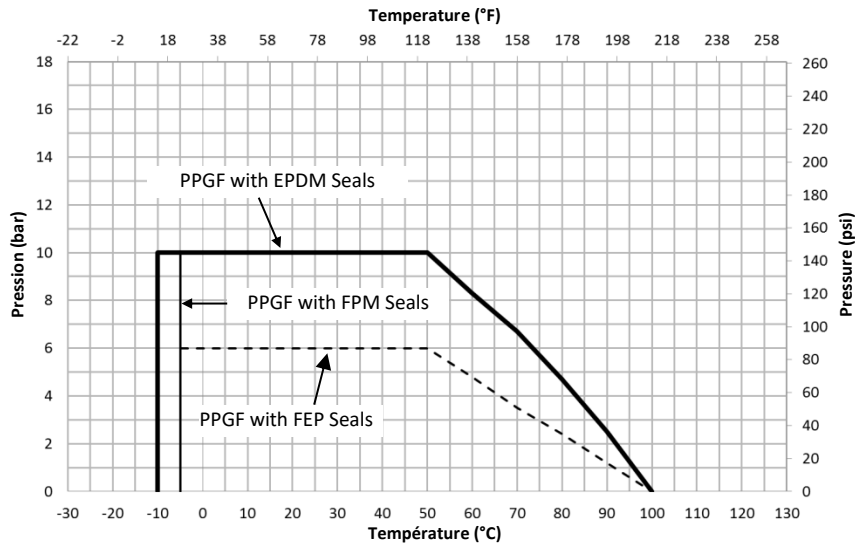
N°	QTY	DESCRIPTION	MATERIAL
1	1	FLANGE	PPGF, PVDF
2*	1	O-RING	EPDM, FPM**, FEP
3	1	LEFT HAND BUSH	PPGF, PVDF
4	2	BODY NUT	PPGF, PVDF
5*	1	O-RING	EPDM, FPM**, FEP
6	1	FIXING INSERT	SS 303
7	1	BODY	PPGF, PVDF
8*	2	SEAT	PTFE
9*	2	SEAT O-RING	EPDM, FPM**, FEP
10*	1	O-RING	EPDM, FPM**, FEP
11	1	ADJUSTING END	PPGF, PVDF
12*	1	O-RING	EPDM, FPM**, FEP
13	1	HANDLE	PPGF
14	1	DRIVE SPINDLE	PPGF, PVDF
15	1	CAP	PE
16	1	NUT	SS 304
17	1	WASHER	SS 304
18*	1	O-RING	EPDM, FPM**, FFKM
19*	1	FRICTION WASHER	PTFE
20*	1	BALL L Port, double L Port, T Port	PP-H, PVDF

N°	QTY	DESCRIPTION	MATERIAL
21	1	BSP THREADED SOCKET	PPGF, PVDF
22	1	HOSETAIL SPIGOT	PPGF
23	1	NPT THREADED SOCKET	PPGF
24	1	THREADED SPIGOT	PPGF
25	1	DIN METRIC SOCKET	PVC-U, ABS
26	1	METRIC SOCKET	PP-H, PE-HD
27	1	METRIC SPIGOT	PPGF, PVDF
28	1	METRIC SPIGOT	PE-HD
29	1	CAMLOCK	PPGF
30	1	FLANGE	PPGF, PVDF
31*	1	O-RING	EPDM, FPM**
32	1	MALE / MALE SPIGOT	PPGF, PVDF
33	1	STUB FLANGE	PPGF, PVDF
34	1	THREADED COLLAR	PPGF, PVDF
35*	1	O-RING	EPDM, FPM**

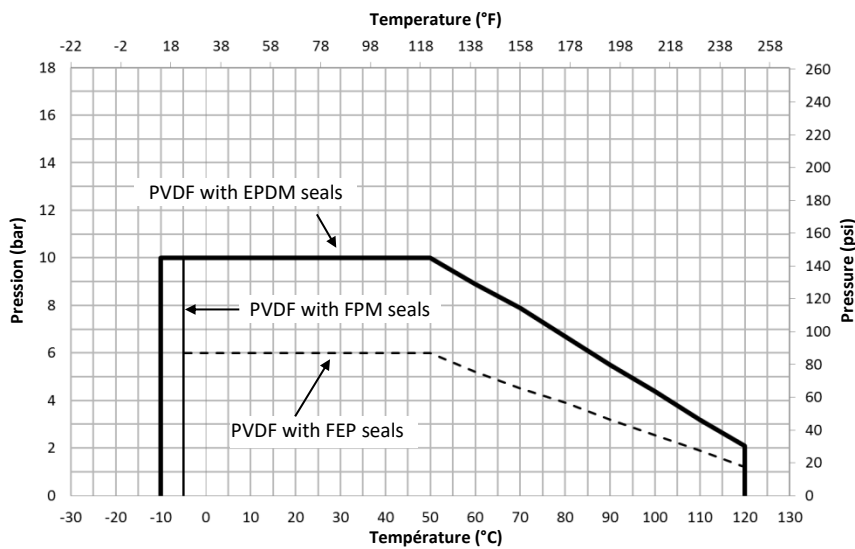
(*): Wearing parts (**): FPM type SAFKMS

DIN = Drilling in accordance with EN 1092-1 PN10
ANSI = Drilling in accordance with ASME B16.5 Class 150

PRESSURE / TEMPERATURE CURVES



PPGF



PVDF

Les descriptions et caractéristiques figurant sur ce document sont données uniquement à titre d'information et non d'engagement contractuel. SAFI se réserve le droit d'effectuer sans préavis, toute modification.

SAFI has a policy of continuously developing its product range and the above data is subject to change without prior notification.

Die Beschreibungen und Daten, die sich auf diesem Dokument befinden, sind rein informativ und unverbindlich. SAFI behält sich vor, ohne Vorankündigung Änderungen vorzunehmen, die als technisch notwendig erachtet werden.

Las descripciones y características que figuran en este documento son indicativas. En ningún caso son contractuales. SAFI se reserva el derecho sin previo aviso de efectuar cualquier modificación.

Pressure/Temperature Summary

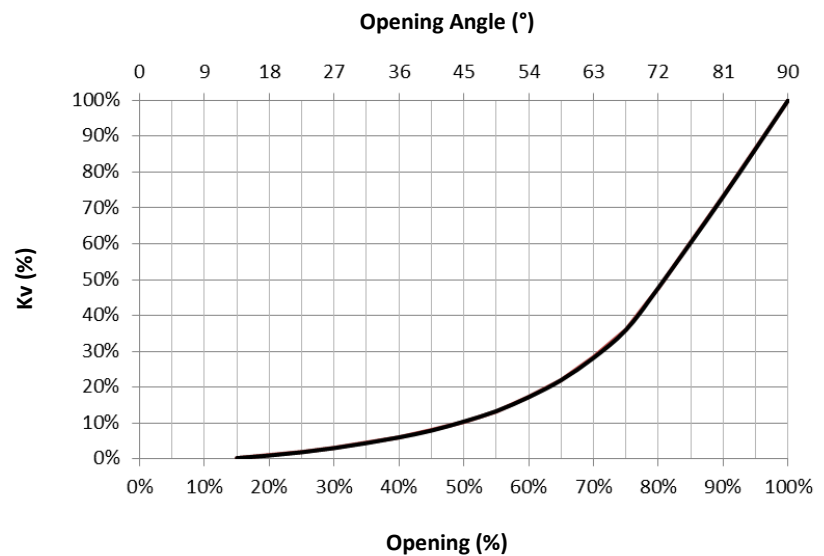
Type of Seals	Working pressure	Working Temperature	
		PPGF	PVDF
EPDM	10 bars at 20°C	- 10°C to +100°C	- 20°C to +120°C
FPM	10 bars at 20°C	- 5°C to +100°C	- 5°C to +120°C
FEP/FFPM	6 bars at 20°C	- 5°C to +100°C	- 5°C to +120°C

The mechanical characteristics of the FPM and FFPM seals subjected to an ambient temperature below -5°C require the implementation of proper insulation on the valves equipped with such seals. Contact us for more information.

PRESSURE LOSS

DN	Kv (m^3/h)
15	12,6
20	24,2
25	44,6
32	66,0
40	109,3
50	189,9

Kv defined according to NF EN 1267



Our valves are guaranteed for an average fluid velocity in the pipeline of ≤ 2 m/s. Please contact us with the working conditions for any higher speed.

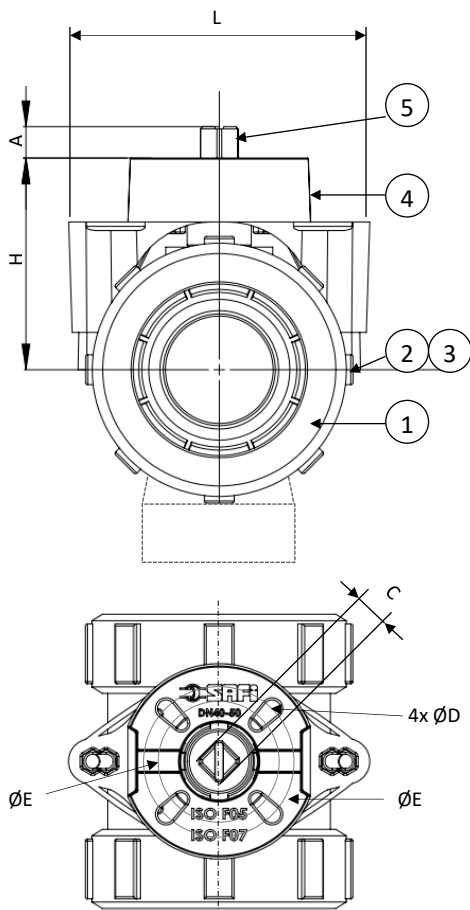
CHEMICAL RESISTANCE

The chemical resistance of the valve is subject to the type of fluid, the temperature, the pressure, as well as the materials and seals of the valve.

Please contact us to have a personalized analysis of the resistance of one of our products to a given fluid

You can also consult, for information only, the table given in ISO 10358. However, this table cannot be considered as a recommendation by SAFI who could not be held liable for the use of this document.

OPTION: MOUNTING KIT (ISO 5211)



N°	QTY	DESCRIPTION	MATERIAL
1	1	Ball Valve DN15 to DN50 – 2or 3-Way	PPGF / PVDF
2	2	Screw TCHC	SS 316
3	2	Washer	SS 316
4	1	Bracket F04, F05, F07*	PPGF
5	1	Square Drive of 11*	SS 316
		Square Drive of 14*	SS 316
		Square Drive of 17*	SS 316

(*): Multi-standard plastic bracket according to the DN of a Ball Valve
 For an F04 Bracket, the Square Drive of 11 is recommended.
 For an F05 Bracket, the Square Drive of 14 is recommended.
 For an F07 Bracket, the Square Drive of 17 is recommended.

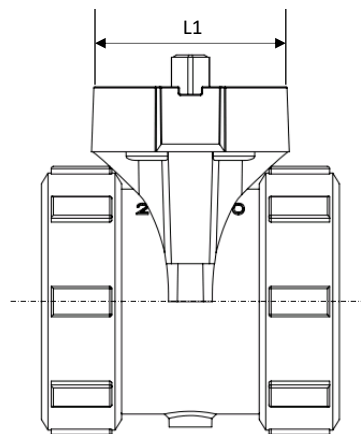


Diagram representing assembly on a DN50

DN	A	H	L	L1	ISO 5211 FIXINGS								
					F04			F05			F07		
					C*	ØD**	ØE**	C*	ØD**	ØE**	C*	ØD**	ØE**
15	15	62	91	71	11 or 14	Ø5	Ø42	11 or 14	Ø6	Ø50	-	-	-
20	15	62	91	71	11 or 14	Ø5	Ø42	11 or 14	Ø6	Ø50	-	-	-
25	18	81	117	91	14, 17 or 22	Ø5	Ø42	14, 17 or 22	Ø6	Ø50	14, 17 or 22	Ø8	Ø70
32	18	86	117	91	14, 17 or 22	Ø5	Ø42	14, 17 or 22	Ø6	Ø50	14, 17 or 22	Ø8	Ø70
40	18	92	141	91	14, 17 or 22	Ø5	Ø42	14, 17 or 22	Ø6	Ø50	14, 17 or 22	Ø8	Ø70
50	18	97	141	91	14, 17 or 22	Ø5	Ø42	14, 17 or 22	Ø6	Ø50	14, 17 or 22	Ø8	Ø70

Other Dimensions: On Request *according to version ** Multistandard bracket

Available Kits

DN	ISO 5211 FIXINGS (CONNECTION/SQ* 45°)		WEIGHT OF KIT	PRODUCT CODE
	F04/F05	11		
DN15-20	F04/F05	11	0,228 Kg	KIT0139 (pour SM1 uniquement)
	F04/F05	11	0,228 Kg	KIT0130
	F04/F05	14	0,235 Kg	KIT0131
DN25-32	F05/F07	14	0,350 Kg	KIT0179 (for SM1 only)
	F05/F07	14	0,350 Kg	KIT0173
	F05/F07	17	0,359 Kg	KIT0174
	F05/F07	22**	0,399 Kg	KIT0175
DN40-50	F05/F07	14	0,351 Kg	KIT0180 (for SM1 only)
	F05/F07	14	0,351 Kg	KIT0176
	F05/F07	17	0,360 Kg	KIT0177
	F05/F07	22**	0,400 Kg	KIT0178

*SQ = Square drive 45° **DSQ = Double Square drive at 45°

Valve torque for actuation

VALVE TORQUE FOR ACTUATION					
DN	PPGF		DN	PVDF	
	2-Way	3-Way		2-Way	3-Way
DN15	8 N.m	7.2 N.m	DN15	3.6 N.m	7.2 N.m
DN20			DN20		
DN25		16 N.m	DN25	8 N.m	40 N.m
DN32			DN32		
DN40			DN40	16 N.m	
DN50			DN50		

The « valve torque for actuation » is the required torque to open the valve when $dP=PN$ and including a safety coefficient.

OPTION: PNEUMATIC ACTUATION

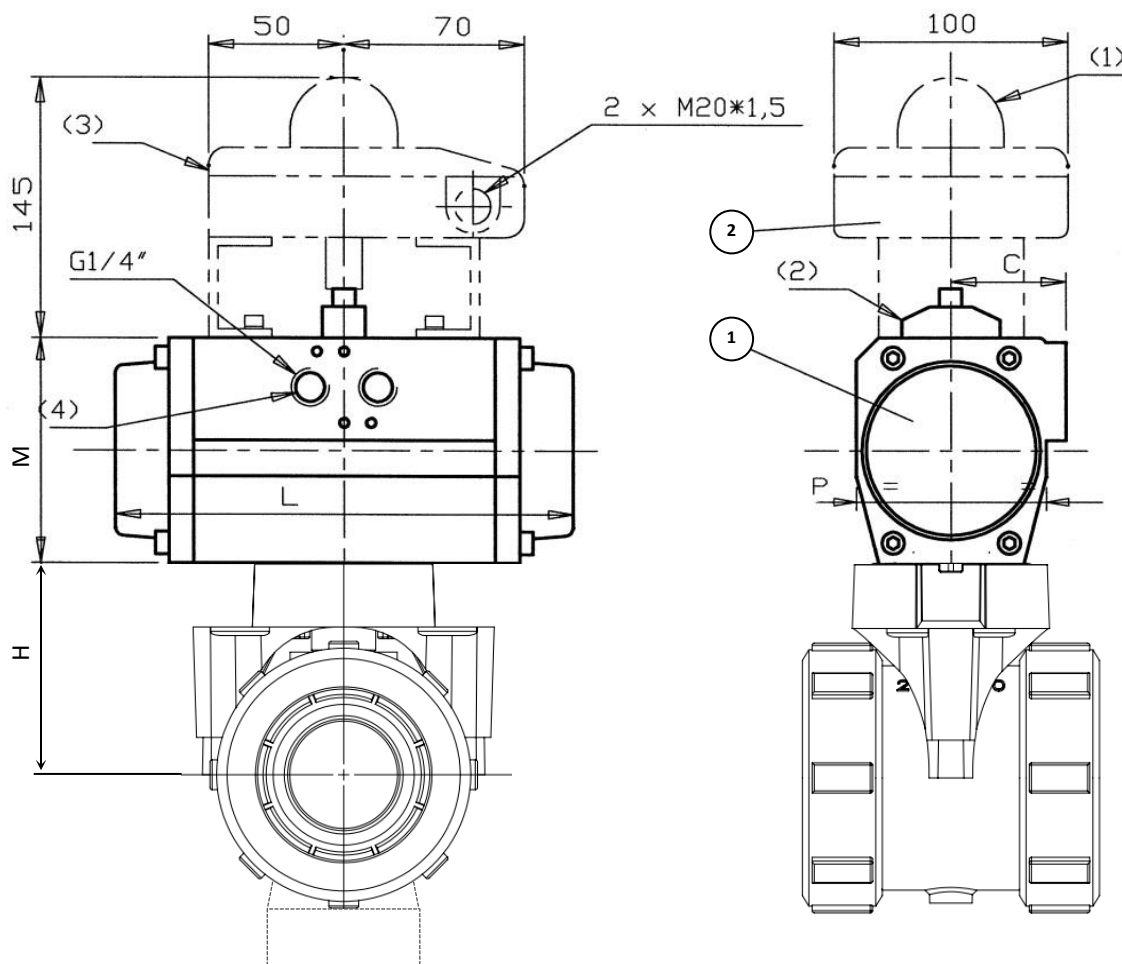


Diagram representing assembly on a DN50

N°	QTY	DESCRIPTION	MATERIAL
1	1	Actuator Double Acting or Fail Safe	Polyamide or Aluminium or Stainless Steel
2	1	Limit Switch Box (option)	Aluminium ou INOX

- (1) Visual position indicator of Limit Switch Box.
- (2) Visual position indicator of Actuator
- (3) Limit Switch Box (option)
- (4) NAMUR mounting pattern for electro pneumatic control

Pneumatic Actuators recommendation according to DN and Material of the Valves

POLYAMIDE Actuator

DN	Nbr.of Ways	ACTUATOR	ISO 5211 FIXATION (CONNEXION/DSS*)		H	C	L	M	P	WEIGHT of Actuator in Kg	PRODUCT CODE	MATERIAL
DN15-20 in PPGF & PVDF	2	Double Acting (DA)	F04	11	See dimensions for each DN on page 8	41	119	70	67	0,57	2007-73A	Polyamide Actuator
		Single Acting (SA)	F05	14		51	160	90	86	1,39	2007-73M (NF) 2007-75M (NO)	
DN15-20 in PPGF & PVDF	3	Double Acting (DA)	F04	11		41	119	70	67	0,57	2007-73A	
		Single Acting (SA)	F05	14		51	160	90	86	1,39	2007-73M (NF) 2007-75M (NO)	
DN25-32 in PPGF & PVDF	2	Double Acting (DA)	F05	14		51	160	90	86	1,19	2007-73B	
		Single Acting (SA)	F05	14		51	160	90	86	1,39	2007-73M (NF) 2007-75M (NO)	
DN40-50 in PVDF	2	Double Acting (Da)	F05	14		51	160	90	86	1,19	2007-73B	
		Single Acting (SA)	F05	14		51	160	90	86	1,39	2007-73M (NF) 2007-75M (NO)	
DN25-50 in PPGF	3	Double Acting (DA)	F05	14		51	160	90	86	1,19	2007-73B	
		Single Acting (SA)	F07	17		66	175	111,5	70	2,34	2007-73N (NF) 2007-75N (NO)	
DN25-50 in PVDF	3	Double Acting (DA)	F05	14		51	160	90	86	1,19	2007-73C	
		Single Acting (SA)	F05-F07	17		62	241	117	114	4,88	2007-84F (NF) 2007-85F (NO)	Alumini um Act.

*DSS = Double Square Socket

ALUMINIUM Actuator

DN	Nbr.of Ways	ACTUATOR	ISO 5211 FIXATION (CONNEXION/DSS*)		H	C	L	M	P	WEIGHT of Actuator in Kg	PRODUCT CODE	MATERIAL
DN15-20 in PPGF & PVDF	2	Double Acting (DA)	F04	EF11	See dimensions for each DN on page 8	40	119	71	67	0,91	2007-83A	Aluminium actuator
		Single Acting (SA)	F05/F07	EF14		54	186	98	96	1,69	2007-84C (NF) 2007-85C (NO)	
DN15-20 in PPGF & PVDF	3	Double Acting (DA)	F04	EF11		40	119	71	67	0,91	2007-83A	
		Single Acting (SA)	F05/F07	EF14		54	186	98	96	1,69	2007-84C (NF) 2007-85C (NO)	
DN25-32 in PPGF & PVDF	2	Double Acting (DA)	F05/F07	EF14		54	186	98	96	1,50	2007-83C	
		Single Acting (SA)	F05/F07	EF14		54	186	98	96	1,69	2007-84C (NF) 2007-85C (NO)	
DN40-50 in PVDF	2	Double Acting (DA)	F05/F07	EF14		54	186	98	96	1,50	2007-83C	
		Single Acting (SA)	F05/F07	EF14		54	186	98	96	1,69	2007-84C (NF) 2007-85C (NO)	
DN25-50 in PPGF	3	Double Acting (DA)	F05/F07	EF14		54	186	98	96	1,50	2007-83C	
		Single Acting (SA)	F07	17		66	175	111,5	70	2,34	2007-84D (NF) 2007-85D (NO)	
DN25-50 in PVDF	3	Double Acting (DA)	F05	14		51	160	90	86	1,19	2007-83D	
		Single Acting (SA)	F05-F07	17		62	241	117	114	4,88	2007-84F (NF) 2007-85F (NO)	

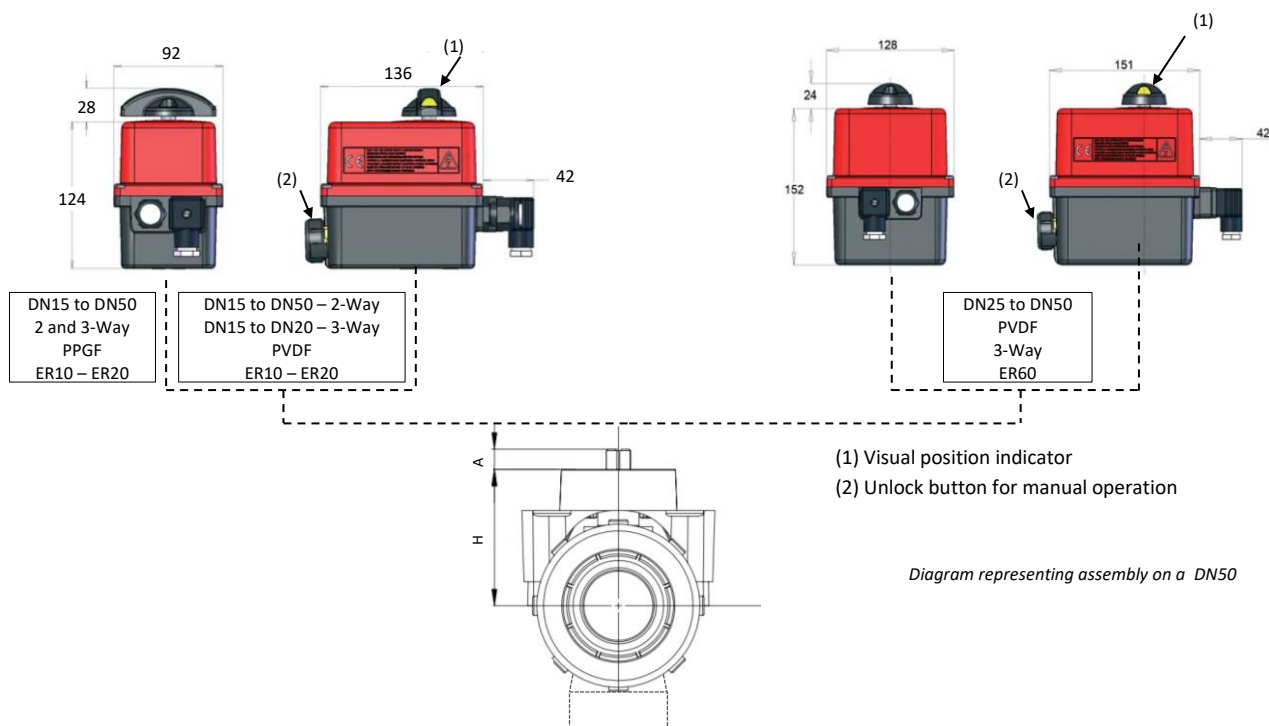
*DSS = Double Square Socket

NC= Normally Closed – NO = Normally Open

Find all the information concerning these actuators by consulting our TDS-ACTPN-0001 product sheet.

Contact us, for other type of Actuators or Limit Switch Boxes

OPTION : ELECTRIC ACTUATION



DN	Nbr. Of Ways	MODELE	ISO 5211 FIXINGS (CONNECTION/DSS*)		H	WEIGHT KG	PRODUCT CODE	MATERIAL	ROTATION 90°
DN 15 to 50 in PPGF	2	ER10 (15-30V AC 12-48V DC)	F03-F04-F05	14	See dimensions for each DN on page 8	1 to 2,1	2907-39B	PA6	11s
		ER10 (90-240V AC 90-350V DC)	F03-F04-F05	14		1 to 2,1	2907-39A	PA6	11s
DN 15 to 32 in PVDF	2	ER10 (15-30V AC 12-48V DC)	F03-F04-F05	14		1 to 2,1	2907-39B	PA6	11s
		ER10 (90-240V AC 90-350V DC)	F03-F04-F05	14		1 to 2,1	2907-39A	PA6	11s
DN 40 to 50 in PVDF	2	ER20 (15-30V AC 12-48V DC)	F03-F04-F05	14		1 to 2,1	2907-40A	PA6	12s
		ER20 (90-240V AC 90-350V DC)	F03-F04-F05	14		1 to 2,1	2907-40C	PA6	12s
DN 15 to 20 in PPGF	3	ER10 (15-30V AC 12-48V DC)	F03-F04-F05	14		1 to 2,1	2907-39B	PA6	11s
		ER10 (90-240V AC 90-350V DC)	F03-F04-F05	14		1 to 2,1	2907-39A	PA6	11s
DN 25 to 50 in PPGF	3	ER20 (15-30V AC 12-48V DC)	F03-F04-F05	14		1 to 2,1	2907-40A	PA6	12s
		ER20 (90-240V AC 90-350V DC)	F03-F04-F05	14		1 to 2,1	2907-40C	PA6	12s
DN 15 to 20 in PVDF	3	ER20 (15-30V AC 12-48V DC)	F03-F04-F05	14	1 to 2,1	2907-40A	PA6	12s	
		ER20 (90-240V AC 90-350V DC)	F03-F04-F05	14	1 to 2,1	2907-40C	PA6	12s	
DN 25 to 50 in PVDF	3	ER60 (15-30V AC 12-48V DC)	F05-F07	22	1 to 2,1	2907-43F	PA6	12s	
		ER60 (90-240V AC 90-350V DC)	F05-F07	22	1 to 2,1	2907-43B	PA6	12s	

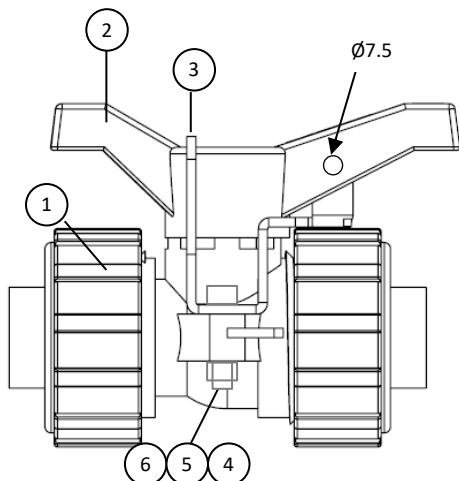
*DSS = Double Square socket

Find all the information concerning these actuators by consulting our TDS-ACTEL-0001 product sheet

Multiple Options Available: Contact us for more information

OPTION: LOCKING SYSTEM

Ball Valve - DN15 to DN20 – 2 Way – PPGF, PVDF

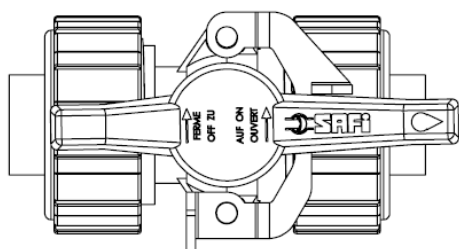


N°	Qty	DESCRIPTION	MATERIAL
1	2	Body, Double union, 2 Way	PPGF, PVDF
2	1	Drilled Red handle	PPGF
		Drilled Green handle	PPGF
3	1	Locking plate	SS 304 + Epoxy
4	2	TCHC M6 screw	SS 316
5	2	Washer	SS 316
6	2	Nut	SS 316

*For Ø7 padlock

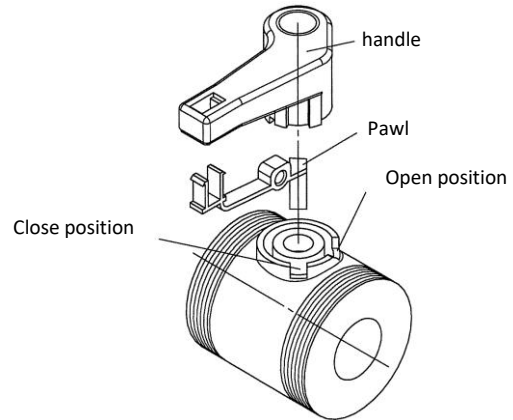
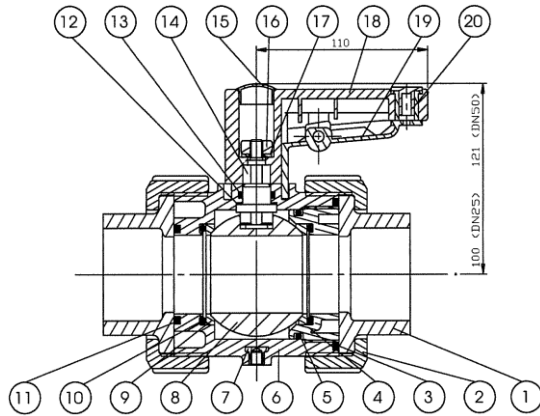
NOTE : padlock not included.

Locking system in SS316 : contact us



DESCRIPTION	DN	NBRE OF WAY	MATERIAL	PRODUCT CODE
Locking system with RED Handle (EPDM seals)	DN15 to DN20	2	PPGF	1102-06RTR
Locking system with GREEN Handle (FPM seals)	DN15 to DN20	2	PVDF	1102-06RTV

Ball valve - DN25 to DN50 - PPGF 2 Way



Rep	Qté	DESCRIPTION	MATERIAL
1	2	Fitting	PPGF
2	2	Nut	PPGF
3*	1	O-ring	EPDM/FPM**
4	1	Adjusting end	PPGF
5*	1	O-ring	EPDM/FPM**
6	1	Body	PPGF
7	1	Fixing insert	SS 304
8*	1	Ball	PP-H
9*	2	Seat	PTFE
10*	2	O-ring	EPDM/FPM**
11*	1	O-ring	EPDM/FPM**
12*	1	Friction washer	PTFE
13*	1	O-ring	EPDM/FPM**
14	1	Spindle	PPGF
15	1	Cap	PE
16	1	Hu M8 nut	SS 316
17	1	L8 washer	SS 316
18	1	Red handle	PPGF
		Green handle	PPGF
19	1	Red pawl	PPGF
		Green pawl	PPGF
20	1	Red cap	PPGF
		Green cap	PPGF

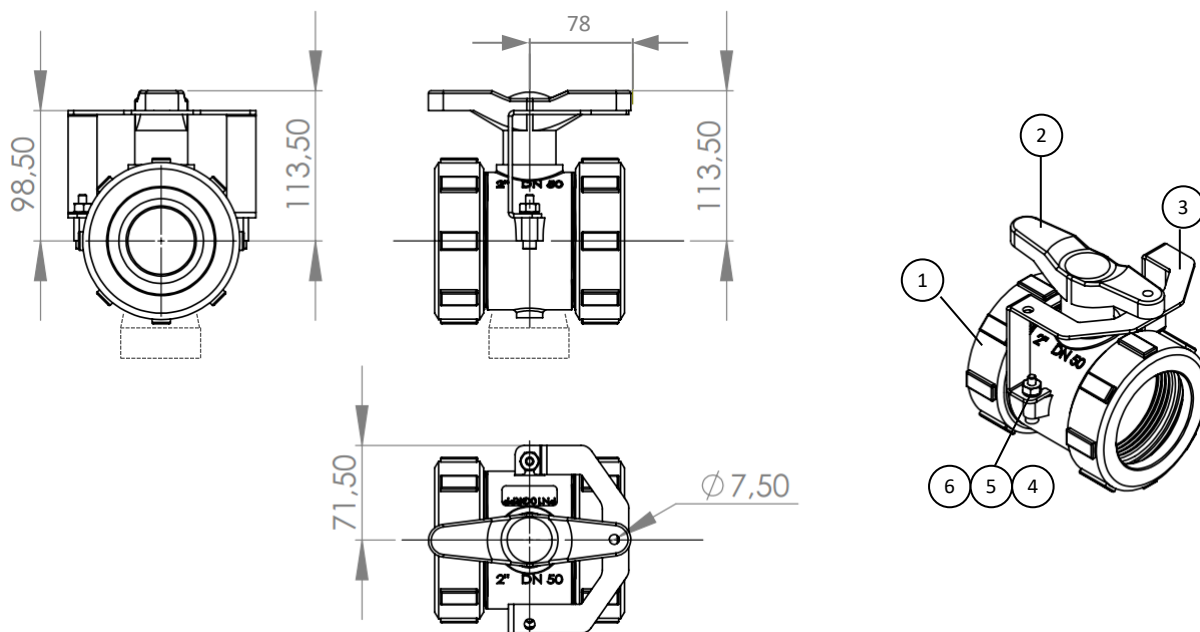
*For Ø7 padlock

NOE :Padlock not included.

DESCRIPTION	DN	NBRE OF WAY	MATERIAL	PRODUCT CODE
Locking system with RED Handle (EPDM seals)	DN25 and DN32	2	PPGF	Ball valve series 2038
Locking system with GREEN Handle (FPM seals)	DN25 and DN32	2	PPGF	Ball valve series 2038

Locking system in SS316 : contact us

Ball valve - DN25 to DN50 – PPGF 3 way – PVDF 2 and 3 WAY



Rep	Qté	DESCRIPTION	MATERIAL
1	2	Body, double union, 2 or 3 Way, DN25 to DN50	PPGF, PVDF
2	1	Enhance red handle	PPGF
		Enhance green handle	PPGF
3	1	Locking plate	SS 304+Epoxy
4	2	TCHC M6 screw	SS 316
5	2	Washer	SS 316
6	2	Nut	SS 316

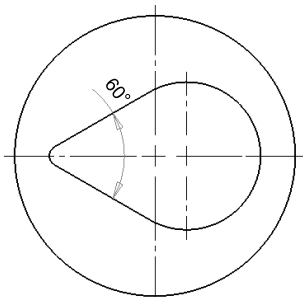
*For Ø7 padlock

NOE :Padlock not included.

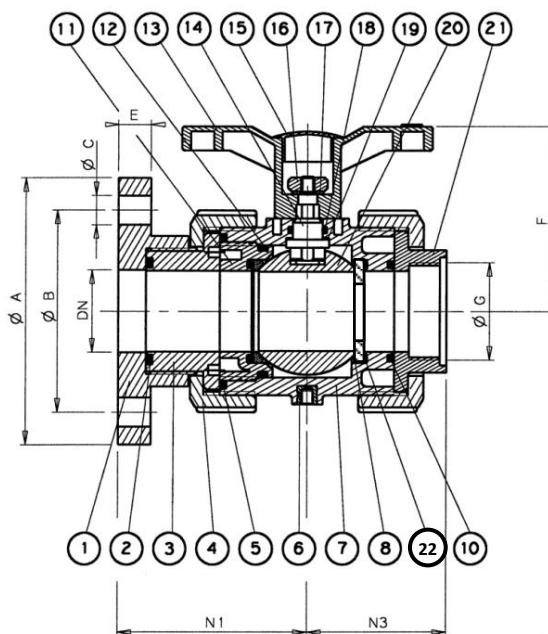
Locking system in SS316 : contact us

DESCRIPTION	DN	NBRE OF WAY	MATERIAL	PRODUCT CODE
Locking system with RED Handle (EPDM seals)	DN25 to DN32	2	PPGF + PVDF	1102-06PTR
	DN40 to DN50	2	PPGF + PVDF	1102-06QTR
	DN25 to DN32	3	PPGF + PVDF	1102-06MTR
	DN40 to DN50	3	PPGF + PVDF	1102-06NTR
Locking system with GREEN Handle (FPM seals)	DN25 to DN32	2	PPGF + PVDF	1102-06PTV
	DN40 to DN50	2	PPGF + PVDF	1102-06QTV
	DN25 to DN32	3	PPGF + PVDF	1102-06MTV
	DN40 to DN50	3	PPGF + PVDF	1102-06NTV

OPTION: FLOW REGULATION PLATE



Example of a regulation plate

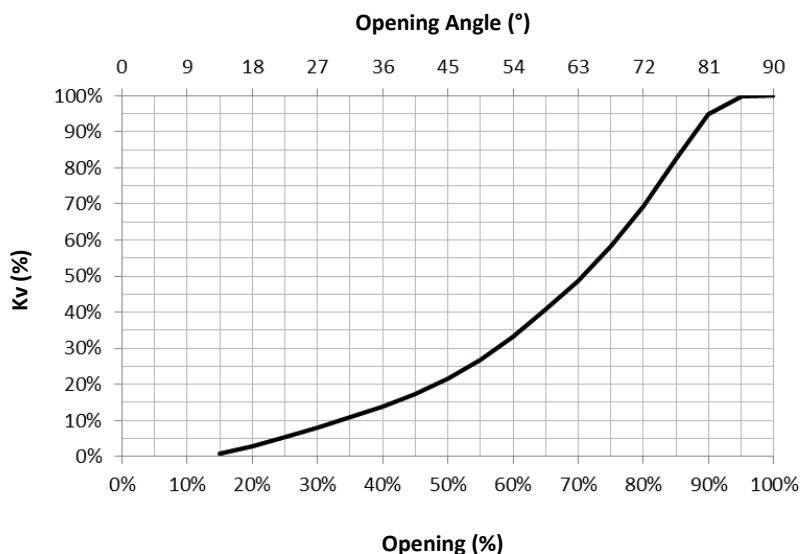


For items 1 to 21 : See page2

N°	DESCRIPTION	MATERIAL	QUANTITY
22	REGULATION PLATE	PVDF	1

DN	Kv (m ³ /h)
15	4,2
20	8,0
25	14,8
32	21,9
40	36,2
50	62,9

Kv defined according to NF EN 1267



OTHER AVAILABLE OPTIONS

- . Manual Operation with Spring Return
- . Extended Stem
- . Thermal Insulation Extension
- . Limit Switch Box

Contact us, for more information on the Available Options.

DETERMINING A PRODUCT CODE

TYPE	SPECIFICATION	DN	Fitting (Inlet)	Fitting (Outlet)	Seals
1003 = PPGF 2-way 2003 = PPGF 3-way 2038 = PPGF Manual 2-way Lockable Handle	- = Standard Ball Valve O = Ball Valve with Regulation Plate Z = Special Ball Valve	10 = DN15 11 = DN20 02 = DN25 03 = DN32 04 = DN40 05 = DN50	A = BSP Threaded Socket C = PP-H Metric Socket F = Flange with drilling in accordance with EN 1092-1 PN10/PN16 (DIN) G = Flange with drilling in accordance with EN1759-1/ASME B16.5 Class 150 (ANSI) Different types of fittings are available, consult the TDS- EQUIP-1003 product sheet	A = BSP Threaded Socket C = PP-H Metric Socket F = Flange with drilling in accordance with EN 1092-1 PN10/PN16 (DIN) G = Flange with drilling in accordance with EN1759-1/ASME B16.5 Class 150 (ANSI) Different types of fittings are available, consult the TDS- EQUIP-1003 product sheet	E = EPDM V = FPM type SAFKM5 P = FEP+FPM+FFPM PP = FEP+FFPM
2027 = PVDF 2-way 2035 = PVDF 3-way	- = Standard Ball Valve O = Ball Valve with Regulation Plate Z = Special Ball Valve	10 = DN15 11 = DN20 02 = DN25 03 = DN32 04 = DN40 05 = DN50	A = BSP Threaded Socket C = PVDF Metric Socket F = Flange with drilling in accordance with EN 1092-1 PN10/PN16 (DIN) G = Flange with drilling in accordance with EN1759-1/ASME B16.5 Class 150 (ANSI) Different types of fittings are available, consult the TDS-EQUIP-1003 product sheet	A = BSP Threaded Socket C = PVDF Metric Socket F = Flange with drilling in accordance with EN 1092-1 PN10/PN16 (DIN) G = Flange with drilling in accordance with EN1759-1/ASME B16.5 Class 150 (ANSI) Different types of fittings are available, consult the TDS-EQUIP-1003 product sheet	E = EPDM Z = FPM type SAFKM5 P = FEP+FPM+FFPM PP = FEP+FFPM

Example : 1003-05AAE

1003	-	05	A	A	E
PPGF Ball Valve Manual 2-way	Standard Ball Valve	DN50	BSP Threaded Socket	BSP Threaded Socket	EPDM Seals

Example: Ball Valve + ACTUATOR: 1003-05AAE + KIT0176 + 2007-73M

1003-05AAE	+	KIT0176	+	2007-73M
PPGF Ball Valve, 2-way DN50 BSP Threaded Sockets EPDM Seals	+	MOUNTING KIT for a DN50	+	Pneumatic Actuator in Polymer Spring Return Normally Closed (NC)