

BALL VALVE - COMPACT – DN15 AND DN20 2 AND 3-WAY – PPGF



DN15 -2-Way
PPGF

MAIN FEATURES

- Full Bore.
- Optimized Mechanical resistance due to the use of PPGF reinforced with Fibreglass.
- Reduced size.
- Suited for Actuation

STANDARDS & APPROVALS



DGS/SD7A N°571 : Circular on the terms and conditions for the verification of the sanitary conformity of the constituent materials of accessories or subassembly accessories, consisting of organic elements in contact with water intended for human consumption (Food Grade Approval)



NR320 : Certification scheme of materials and equipment for the classification of marine units

Les descriptions et caractéristiques figurant sur ce document sont données uniquement à titre d'information et non d'engagement contractuel. SAFI se réserve le droit d'effectuer sans préavis, toute modification.
SAFI has a policy of continuously developing its product range and the above data is subject to change without prior notification.

Die Beschreibungen und Daten, die sich auf diesem Dokument befinden, sind rein informativ und unverbindlich. SAFI behält sich vor, ohne Vorankündigung Änderungen vorzunehmen, die als technisch notwendig erachtet werden.
Las descripciones y características que figuran en este documento son indicativas. En ningún caso son contractuales. SAFI se reserva el derecho sin previo aviso de efectuar cualquier modificación.

SAFI

Av. Jacques Moison – BP 1
26770 TAULIGNAN
FRANCE
Tél.: (+33) 04 75 53 56 29
Fax : (+33) 04 75 53 62 78
info@safi-valves.com

SAFI Limited

35 Holton Road
Holton Heath Trading Park
POOLE Dorset - BH16 6LT
UNITED KINGDOM
Tél.: (+44) 1202 624618
Fax : (+44) 1202 628500
sales@safi-valves.com

SAFI Deutschland

Kunststoffarmaturen
Vertriebs GmbH
Jahnstrasse 29
64319 PFUNGSTADT
DEUTSCHLAND
Tél. : (+49) 61 57 81 919
Fax : (+49) 61 57 82 025
info-deutschland@safi-valves.com

SAFI Fabrica de Valvulas

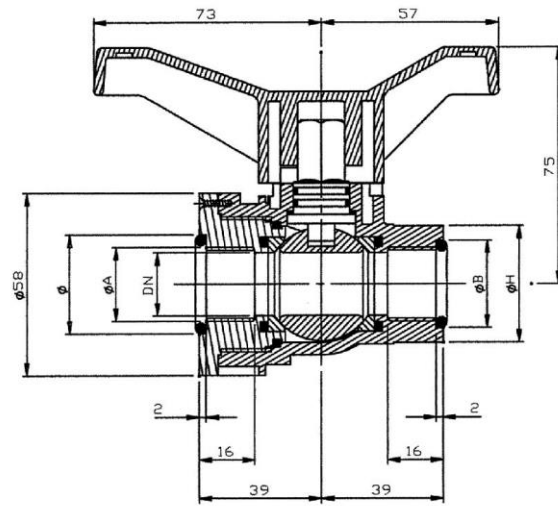
C/ Carboners, 35
Pol. Ind. La Cometa
43700 EL VENDRELL
TARRAGONA-ESPAÑA
Tel.: (+34) 977 665 147
Fax : (+34) 977 664 989
info@safi-valvulas.com

SAFI America

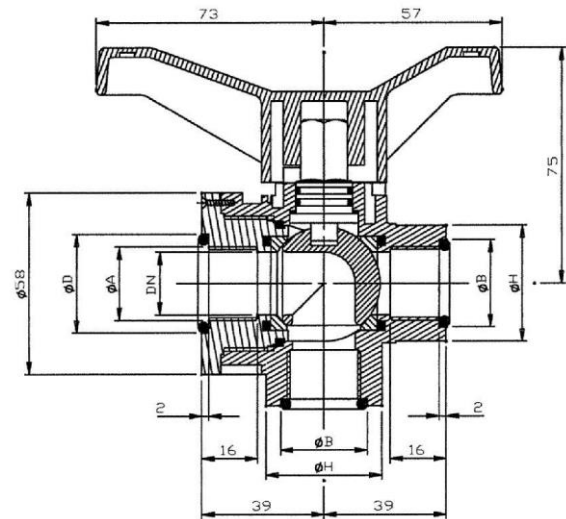
Las Garzas Trade Center
Las Garzas #950, B
Quilicura
SANTIAGO – CHILE
Tél.: (+56 2) 2 510 3500
Fax : (+56 2) 2 510 3507
info@safi-america.com

DIMENSIONS

2-Way Version



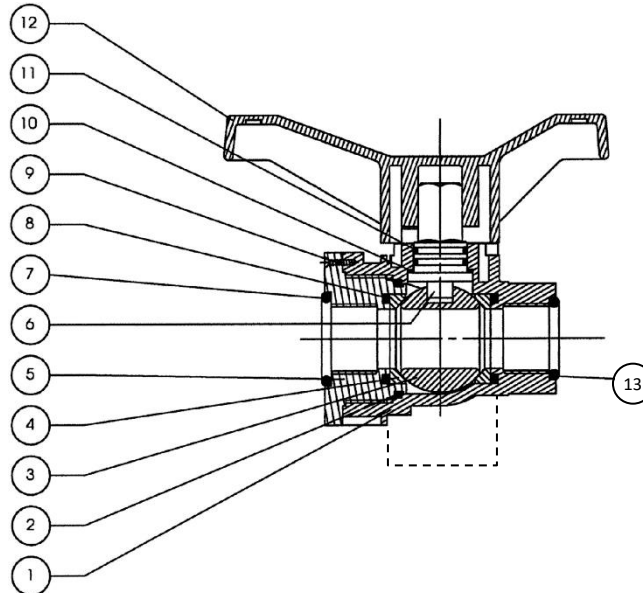
3-Way Version



DN	WEIGHT (KG)
15	0.14
20	0.13

PARTS LIST

2 & 3-Way Version

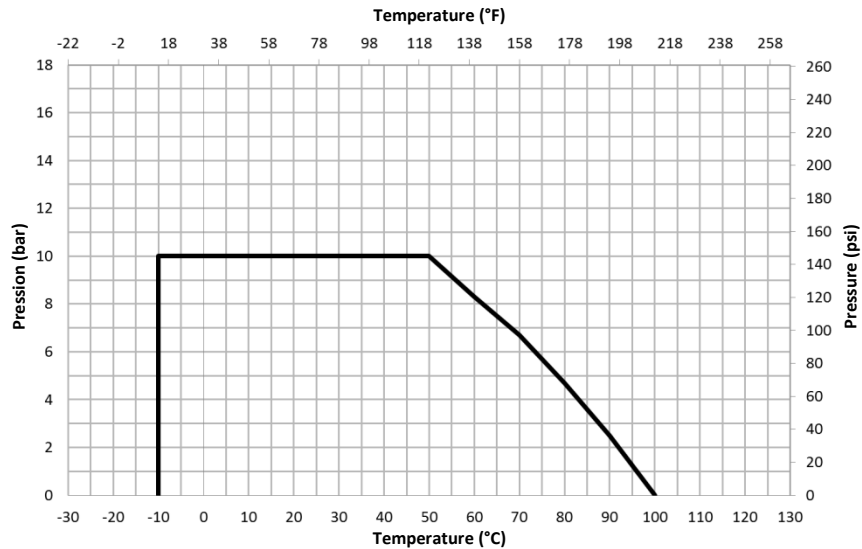


N°	QTY	DESCRIPTION	MATERIAL
1	1	BODY 2 or 3-Way	PPGF
2*	1	O-RING	EPDM/FPM**
3*	1	L Port/Double L Port / T Port	PP-H
4*	2	SEAT	PTFE
5	1	ADJUSTING END	PPGF
6	1	SPINDLE	PPGF
7*	1	O-RING	EPDM/FPM**
8*	2	O-RING	EPDM/FPM**
9	1	SCREW Ø2.9x12.7	SS316
10	1	FRICTION WASHER	PTFE
11	2	O-RING	EPDM/FPM**
12	1	RED HANDLE	PPGF
		GREEN HANDLE	PPGF
13*	1	O-RING	EPDM/FPM**

(*) : Wearing Spare Parts

(**): FPM type SAFKMS

PRESSION / TEMPERATURE CURVES



PPGF

Pressure/Temperature Summary

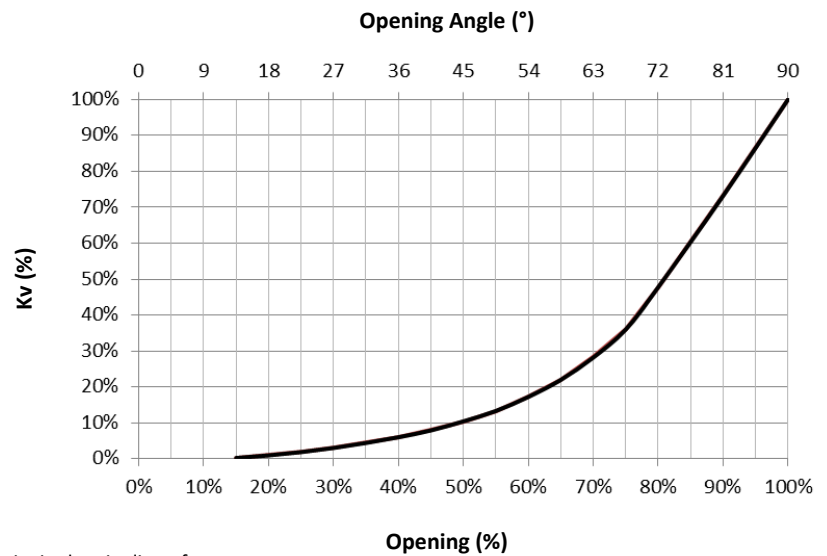
Type of Seal	Working Pressure	Working Temperature
		PPGF
EPDM / FPM	10 bars at 20°C	- 10°C to +100°C

The mechanical characteristics of the FPM and FFPM seals subjected to an ambient temperature below -5°C require the implementation of proper insulation on the valves equipped with such seals. Contact us for more information.

PRESSURE LOSS

DN	Kv (m ³ /h)
15	12,6
20	24,2

Kv defined according to NF EN 1267



Our valves are guaranteed for an average fluid velocity in the pipeline of ≤ 2 m/s. Please contact us with the working conditions for any higher speed.

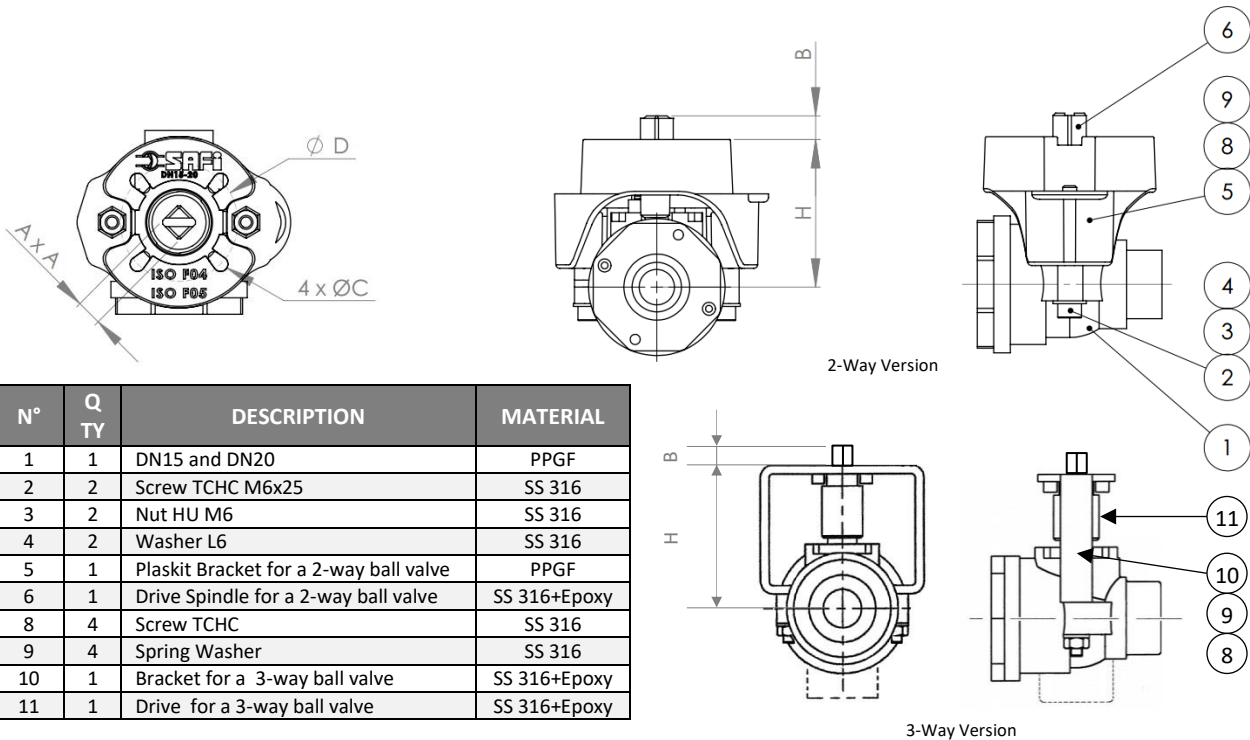
CHEMICAL RESISTANCE

The chemical resistance of the valve is subject to the type of fluid, the temperature, the pressure, as well as the materials and seals of the valve.

Please contact us to have a personalized analysis of the resistance of one of our products to a given fluid

You can also consult, for information only, the table given in ISO 10358. However, this table cannot be considered as a recommendation by SAFI who could not be held liable for the use of this document.

OPTION: MOUNTING KIT (ISO 5211)



N°	QTY	DESCRIPTION	MATERIAL
1	1	DN15 and DN20	PPGF
2	2	Screw TCHC M6x25	SS 316
3	2	Nut HU M6	SS 316
4	2	Washer L6	SS 316
5	1	Plaskit Bracket for a 2-way ball valve	PPGF
6	1	Drive Spindle for a 2-way ball valve	SS 316+Epoxy
8	4	Screw TCHC	SS 316
9	4	Spring Washer	SS 316
10	1	Bracket for a 3-way ball valve	SS 316+Epoxy
11	1	Drive for a 3-way ball valve	SS 316+Epoxy

DN	B	H	ISO 5211 FIXINGS					
			F04			F05		
			A	ØC	ØD	A	ØC	ØD
15	11	62,5	11 ou 14	5,2	Ø41	11 or 14	6,5	Ø50
20	15	62,5	11 ou 14	5,2	Ø41	11 or 14	6,5	Ø50

Other Dimensions : On Request

Available Kits

DN		ISO 5211 FIXINGS (CONNECTION/SQ* 45°)		PRODUCT CODE
DN15 DN20	2-Way	F04/F05	11	KIT0130
		F04/F05	14	KIT0131
DN15 DN20	3-Way	F04**	11	KIT0010
		F05**	14	KIT0006

*SQ = Square Drive 45°

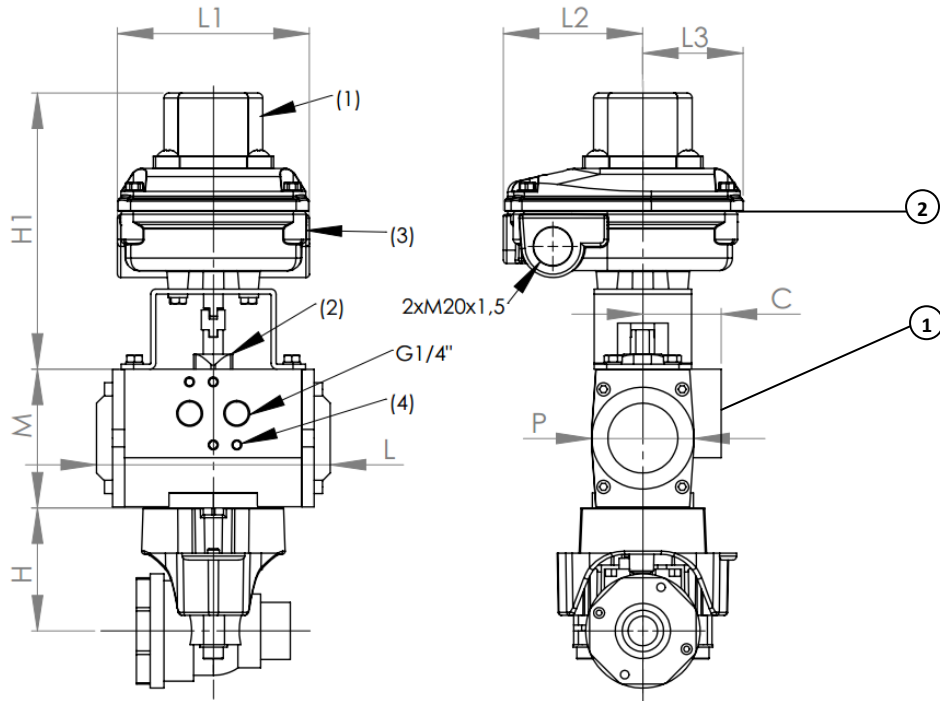
**Stainless Steel 304 bracket +epoxy (Option in SS 316)

Valve torque for actuation

DN	VALVE TORQUE FOR ACTUATION	
	2-Way	3-Way
DN15 DN20	3.6 N.m	7.2 N.m

The « valve torque for actuation » is the required torque to open the valve when $dP=P_N$ and including a safety coefficient.

OPTION: PNEUMATIC ACTUATION



N°	QTY	DESCRIPTION	MATERIAL
1	1	Actuator Double Acting or Fail Safe	Polymer or Aluminum or SS
2	1	Limit Switch Box (option)	Aluminum ou inox

- (1) Visual position indicator of Limit Switch Box.
 (2) Visual position indicator of Actuator
 (3) Limit Switch Box (option)
 (4) NAMUR mounting pattern for electro pneumatic control

Pneumatic Actuators recommendation according to DN and Material of the Valves

DN	ACTUATOR	ISO 5211 FIXINGS (CONNECTION/DSS*)	H	H1	C	L	L1	L2	L3	M	P	WEIGHT of Actuator in Kg	PRODUCT CODE	MATERIAL	
DN15	DA	F04	11	62,5	139	40	119	100	70	50	70	53	0,57	2007-73A	POLYAMIDE
	SA	F05	14	62,5	139	50	160	100	70	50	90	70	1.19	2007-73M (NC) 2007-75M (NO)	
DN20	DA	F05/F07	14	62,5	139	47	175	100	70	50	81	81	1.50	2007-83C	ALUMINIUM
	S=A	F05/F07	14	62,5	139	47	175	100	70	50	81	81	1.69	2007-84C (NC) 2007-85C (NO)	

*DSS = Double Square Socket

(Actuator model for a recommended air supply of 5.6 Bars)

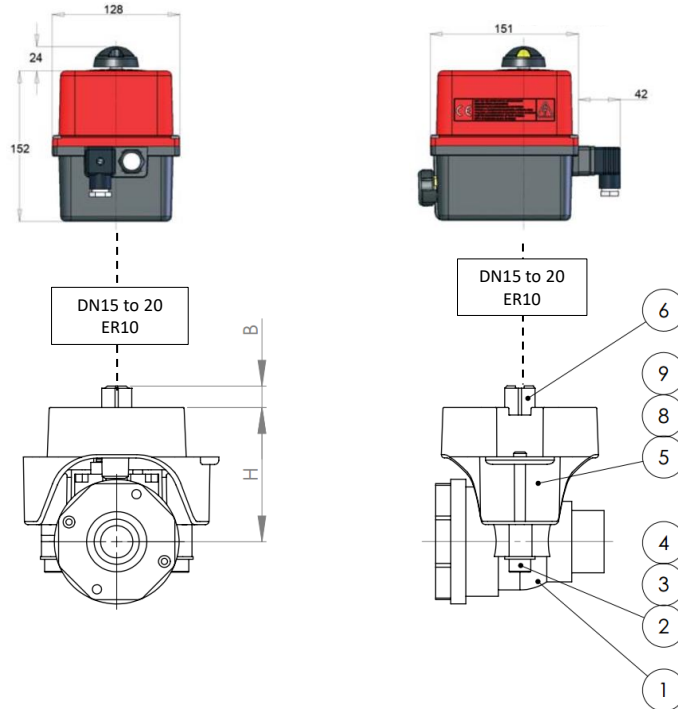
Find all the information concerning these actuators by consulting our TDS-ACTPN-0001 product sheet.

Multiple Options Available : Contact Us !

Les descriptions et caractéristiques figurant sur ce document sont données uniquement à titre d'information et non d'engagement contractuel. SAFI se réserve le droit d'effectuer sans préavis, toute modification.
SAFI has a policy of continuously developing its product range and the above data is subject to change without prior notification.

Die Beschreibungen und Daten, die sich auf diesem Dokument befinden, sind rein informativ und unverbindlich. SAFI behält sich vor, ohne Vorankündigung Änderungen vorzunehmen, die als technisch notwendig erachtet werden.
Las descripciones y características que figuran en este documento son indicativas. En ningún caso son contractuales. SAFI se reserva el derecho sin previo aviso de efectuar cualquier modificación.

OPTION: ELECTRIC ACTUATION



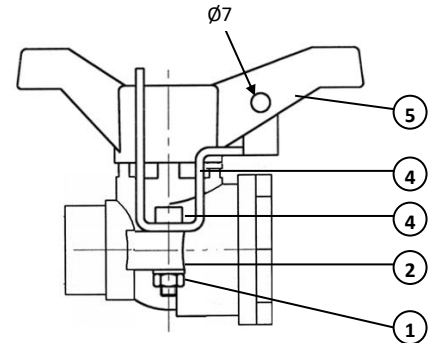
DN	MODEL	ISO 5211 FIXINGS (CONNECTION/DSS*)		H & B	WEIGHT (KG)	PRODUCT CODE	MATERIAL	ROTATION 90°
DN 15 and DN20	ER10 (15-30VAC 12-48VDC)	F03-F04 F05	11 or 14	See dimensions for each DN on page 6	1 à 1,2	2907-39B	PA6	11s
	ER10 (90-240VAC 90-350VDC)	F03-F04 F05	11 or 14		1 à 1,2	2907-39A	PA6	11s

*DSS = Double Square Socket

Find all the information concerning these actuators by consulting our TDS-ACTEL-0001 product sheet

OPTION: LOCKING SYSTEM

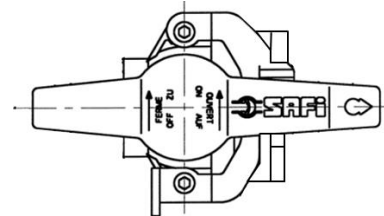
N°	QTY	DESCRIPTION	MATERIAL
1	2	NUT M6	SS 316
2	2	WASHER M6	SS 316
3	2	SCREW M6x25	SS 316
4	1	LOCKING PLATE DN15 to 50	SS 304+Epoxy
5	1	DRILLED HANDLE	PPGF



Assembly:

1) The padlock plate N° 4 can be retrofitted on the 2-way compact or double-union SAFI valves, PPGF or PVDF, DN15 and 20.

2) Mounting of the Locking Kit on a valve requires a 10mm open-end wrench, a 5mm Allen key and a $\varnothing 7$ counter-drill on the handle $\varnothing 7$.
(The complete kit does not include padlock)



DESCRIPTION	PRODUCT CODE
	DN15-20
Locking System with RED handle (Red = Ball Valve with EPDM seals)	1102-06RTR
Locking System with GREEN handle (Green= Ball Valve with FPM seals)	1102-06RTV
Locking System with BLUE handle (Blue = Ball Valve with FEP/FFPM seals)	1102-06RTB

OTHER AVAILABLE OPTIONS

- . Manual Operation with Spring Return
- . Extended Stem (Thermal Insulation)
- . Limit Switch Box

Contact us, for more information on the Available Options.

DETERMINING A PRODUCT CODE

TYPE	SPECIFICATION	DN	Fitting (Inlet)	Fitting (Outlet)	Seals
2008 = Compact - PPGF- 2-way 2012 = Compact - PPGF- 3-way	- =Standard Ball Valve	00 = DN15 01 = DN20	A = BSP threaded socket Different types of fittings are available, consult the TDS-EQUIP-1003 product sheet	A = BSP threaded socket Different types of fittings are available, consult the TDS-EQUIP-1003 product sheet	E = EPDM V = FPM type SAFKM5

Example : 2008-00AAE

2008	-	00	A	A	E
Compact Ball Valve PPGF Manual 2-way	Standard Ball Valve	DN15	BSP Threaded socket	BSP Threaded socket	EPDM Seals

Example: Ball Valve + ACTUATION: 2008-00AAE + KIT0130 + 2007-73A

2008-00AAE	+	KIT0130	+	2007-73A
Compact PPGF Ball Valve, 2-way DN15 BSP Threaded Sockets EPDM seals	+	MOUNTING KIT For a DN15 (F04/FS11)	+	Pneumatic Actuator in Polymere Double Acting (DA)