

Rotating cleaning nozzle MiniSpinner 2 Series 5M3



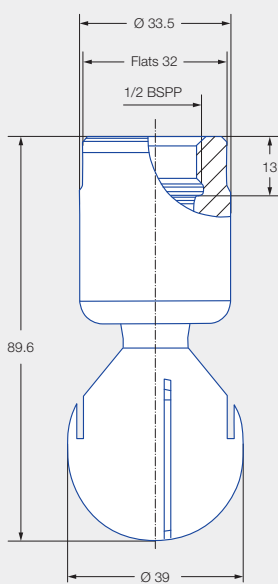
Features:

- Hygienic design
- Suitable for high temperatures
- Made entirely of stainless steel 316L or Alloy 22

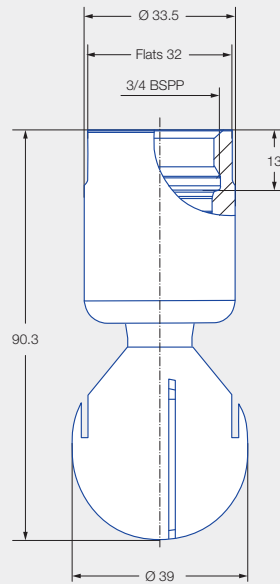


**ATEX version
available on
request**

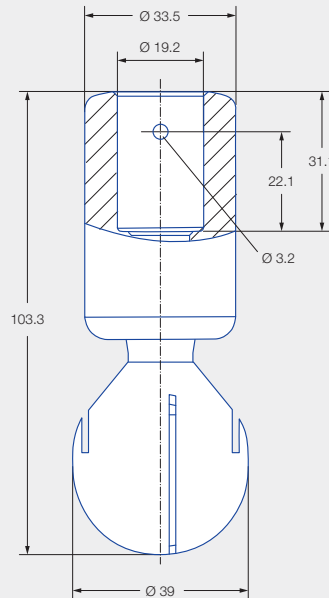
Series 5M3



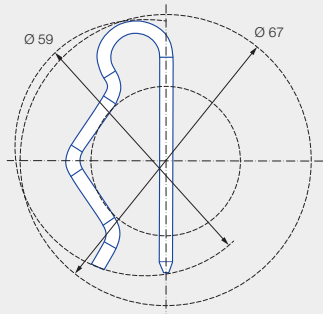
Female thread



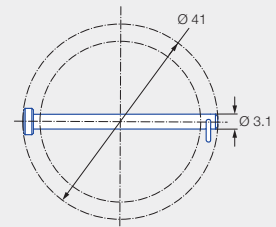
Female thread



Dimensions of the
slip-on connection
according to ASME-BE
(OD-tube)



Dimensions of the
slip-on connection
top view stainless steel 316L



Dimensions of the
slip-on connection
top view Alloy 22

Max. tank diameter [m]	0	1	2	3	4	5	6	7	8	9
------------------------	---	---	---	---	---	---	---	---	---	---

Cleaning efficiency class
2

Max. temperature
250 °C

Installation
Operating in every direction possible

Bearing
Double ball bearing made of stainless steel 316L, Alloy 22

Material
Stainless steel 316L, Alloy 22





Recommended operating pressure
2 bar

Filtration
Line strainer with a mesh size of 0,1mm/170 mesh

Adapter
1/2 BSPP and 3/4 BSPP are compatible with HygienicFit

Function video
www.lechler.com/de-en/medialibrary
Or scan the QR Code.



Spray angle	Ordering no.						Narrowest free cross section Ø [mm]	V̇ water [l/min]				Max. tank diameter [m]
	Type	Material no.		Connection				p [bar] (p _{max} = 7 bar)				
		1Y	21	1/2 BSPP	3/4 BSPP	3/4"-Slip-on		1.0	2.0	3.0	at 40 psi [US gal/min]	
		Stainless steel 316L	Alloy 22									
60° 	5M3.122	●	●	AH		TF07	2.6	45	63	77	20	–
180° 	5M3.133	●	●			AL TF07	1.2	47	67	82	21	2.6
180° 	5M3.134	●	●			AL TF07	1.3	47	67	82	21	2.6
360° 	5M3.999	●	●			AL TF07	0.4	21	30	37	9	1.8
	5M3.089	●	●			AL TF07	0.7	35	49	60	15	2.1
	5M3.139	●	●			AL TF07	0.8	49	69	85	21	2.3
	5M3.209	●	●			AL TF07	1.5	71	100	122	31	2.6

NPT thread, weld-on and further slip-on versions on request.

The max. tank diameter shown above applies for the recommended operating pressure and has to be seen as a recommendation. The cleaning result is also affected by the type of soiling.

Operating with compressed air only for short-term usage. Operation above the recommended operating pressure has negative effects on the cleaning result and wear.

Information slip-on connection

- Pin made of stainless steel 316L included (Ordering-no. 05M.330.1Y.00.00.0). Version made of Alloy 22 bolt with head incl. pin included (Ordering-no. 05M.332.21.00.00.0).
- Depending on diameter of the adapter, the flow rate increase due to leakage between connecting pipe and rotating cleaning nozzle.
- Minimum insertion diameter (with mounted pin) is 59 mm for the types made of stainless steel 316L and 41 mm for the types made of Alloy 22.

Example Type + Connection = Ordering no.
of ordering: 5M3.122. 1Y + AH = 5M3.122.1Y.AH